



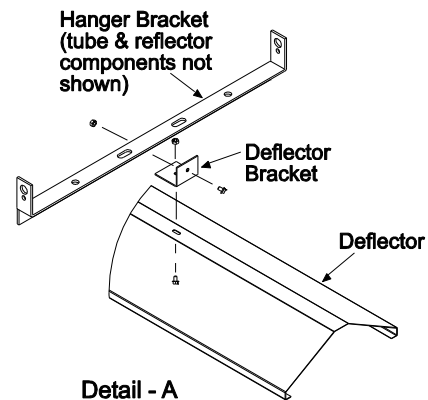
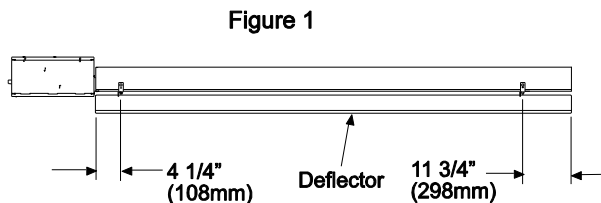
DEFLECTOR KIT

Models: CB20 through CB50

This deflector kit is available for use on the CB series of infrared tube heaters to reduce the clearances to combustibles below the heater. Refer to the table below for revised clearances to combustibles when using this deflector kit. **NOTE: Maintain a minimum of 30 inches side clearances at all times when using this deflector kit. Heater must ONLY be mounted in the horizontal position when using this kit.**

INSTALLATION INSTRUCTIONS:

1. Place the short side of each deflector bracket onto the center hole of each hanger bracket. Attach using the #8-32 screws and nuts provided in the kit. See Figure 1 and Detail-A.
2. Attach the deflector to each bracket using the remaining #8-32 screws and nuts in the kit. **NOTE:** The slotted holes in the top of the deflector are unequally spaced from the ends. Make sure that the end of the deflector having the shortest spacing is placed on the tube body at the control end of the heater. See Figure 1.



MINIMUM CLEARANCES TO COMBUSTIBLES WHEN USING THE DEFLECTOR KIT

Model No.	Sides	Ceiling ²	Below ¹	Ends
CB 20	30"	4"	33"	8"
CB 30	30"	4"	33"	8"
CB 40	30"	4"	42"	8"
CB 50	30"	4"	42"	8"

¹In Canada, clearances below the heater are: CB(30,20) - 27" and CB(50,40) - 36". ² Ceiling clearance is 12" when installed in an UNVENTED configuration in industrial/commercial installations.

KIT NO. 43504000

Part No.	Description	Qty
02166070	Machine Screw #8-32 x 1/2	4
02167040	Locknut #8-32	4
43505000	Deflector Panel (8 Ft.)	1
43506000	Deflector Bracket	2
43519000	Form, Deflector Installation	1