



INSTALLATION OF SIDE REFLECTOR SECTIONS

MODELS: LTS/U, ETS/U, PTS/U and CB

INSTRUCTIONS:

1. Hang side reflector flush with end of heater body. See Figure 1.
2. Lock reflector in place by inserting sheet metal screws through hole of each hanger bracket and under the flange of the main body reflector. See Figure 2 and Detail A.
3. Hang next reflector with approximately 1 inch of overlap until the slotted holes of both reflectors are aligned. See Figure 1.
4. Place a diagonal brace at end of the first reflector and at the overlapped joint. Secure with sheet metal screws. See Figure 2. Continue with remaining reflectors.

OPTIONAL SECOND SIDE REFLECTOR:

5. Hang reflectors on opposite side of the heater as described above. See Figure 2. Place a cross brace to the inside of both reflectors and secure with sheet metal screws. See Figure 2. **NOTE:** The Second Side Reflector is not available for the ETU Series.

IMPORTANT: Refer to Figure 3 for Minimum Clearances to Combustibles.

PART NO.	DESCRIPTION
43232000	Side Reflector Kit for LTU40-75 and CB20-50, 5' length
43233000	Side Reflector Kit for LTU80-250, 5' length
43232010	Side Reflector Kit for LTS, ETS/U and PTS/U, 5' length
43234000	2-Side Reflector Kit for LTU40-75 and CB, 5' length
43235000	2-Side Reflector Kit for LTU80-250, 5' length
43234010	2-Side Reflector Kit for LTS, ETS and PTS, 5' length

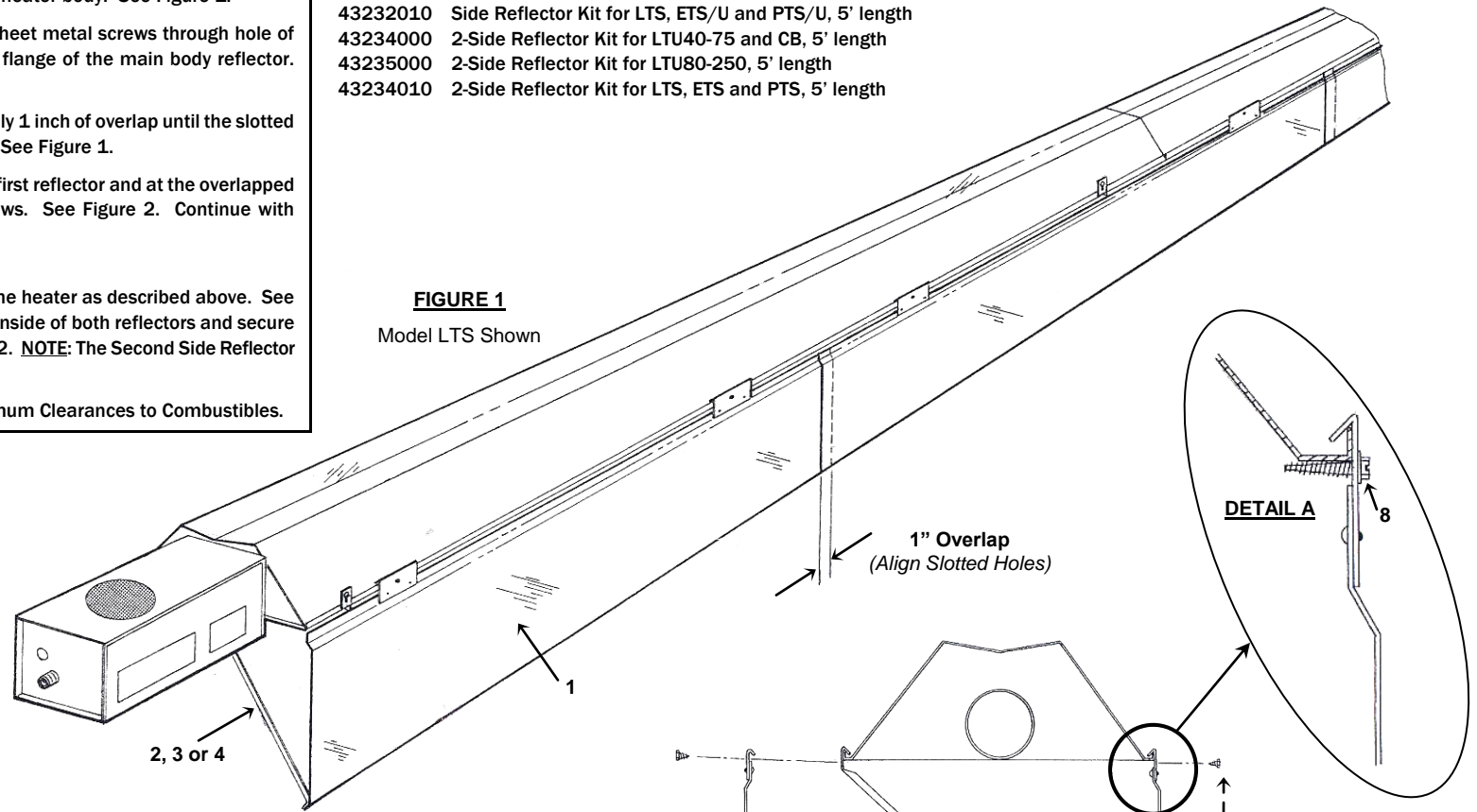


FIGURE 1

Model LTS Shown

Item No.	Part No.	Description	Models Used On:
1	43222010	Side Reflector Assembly, 5' x 16-1/2"	LTS/U, ETS/U, PTS/U & CB
2	43224000	Diagonal Brace, 24-1/2"	LTU40-75, CB20-50
3	43224010	Diagonal Brace, 33-1/4"	LTU80-250
4	43224020	Diagonal Brace, 21-3/16"	LTS, ETS/U & PTS/U
5	43225000	Cross Brace, 17-3/8"	LTU40-75, CB20-50
6	43225010	Cross Brace, 27-3/8"	LTU80-250
7	43225020	Cross Brace, 12-1/2"	LTS, ETS & PTS
8	02203030	#8 x 3/4" Sheet Metal Screw	LTS/U & ETS/U, PTS/U & CB

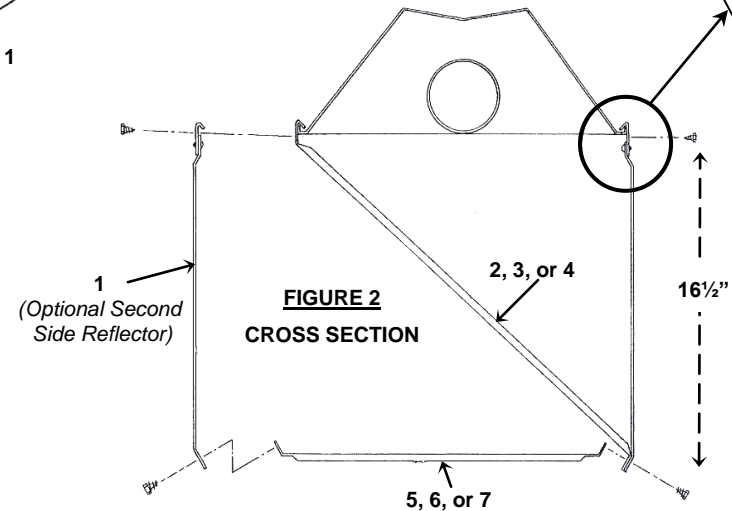
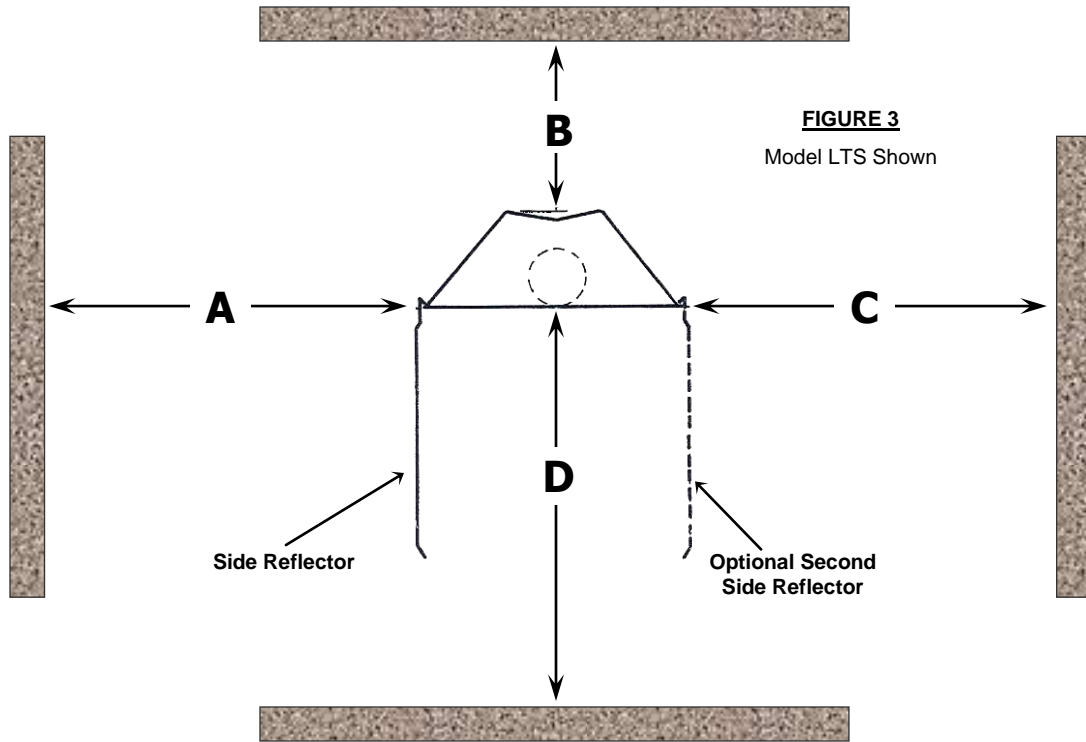


FIGURE 2
CROSS SECTION



MINIMUM CLEARANCES TO COMBUSTIBLES (In Inches)

MODELS	A	B*	C	A and C	D
	With Side Reflector		With Side Reflector	with Optional Second Side Reflector**	
CB 20 - 50	6	6	30	12	57
LTS/U, ETS/U, PTS/U 40, 50	6	6	30	12	60
LTS/U, ETS/U, PTS/U 60, 75	6	6	34	18	69
LTS/U, ETS/U 80, 90	10	6	72	24	97
LTS/U, ETS/U, PTS/U 100	12	6	92	30	101
LTS/U, ETS/U, PTS/U 110, 120, 125, 130	14	6	92	36	116
LTS/U, ETS/U, PTS/U 140, 150, 160, 175	18	6	118	48	122
LTS/U, ETS/U, PTS/U 180, 200, 225, 250	36	18	120	66	152

* Ceiling Clearance is 12" on LTS/U, ETS/U & PTS/U 40-75 and CB20-50 or 18" on LTS/U, ETS/U & PTS/U 80-175 when installed in an UNVENTED configuration; Ceiling Clearance is 18" when the LTS/U, ETS/U and PTS/U elbow is used *without* the corner or U-bend reflector.

** Not Available for ETU or PTU Series.