

SPACE-RAY
INFRARED GAS HEATERS

EMITTER GUARD KIT Models: CB20 – CB50

The emitter guard kit is required when the CB series of infrared tube heaters is installed at mounting heights between 6 ft. and 8 ft. above a finished floor. For installations above 8 ft. the emitter guard kit is not required but may be used for decorative purposes as desired.



INSTALLATION INSTRUCTIONS:

1. Place the center hanger bracket on the heater as shown below using the U-bolts and hardware supplied in this kit. NOTE: Spacing between each hanger bracket should be as shown. See Figure 1.
2. Pre-assemble two (2) emitter guard holder panels for each side of the heater using the center panel joiner and screws provided in the kit. See Detail A.

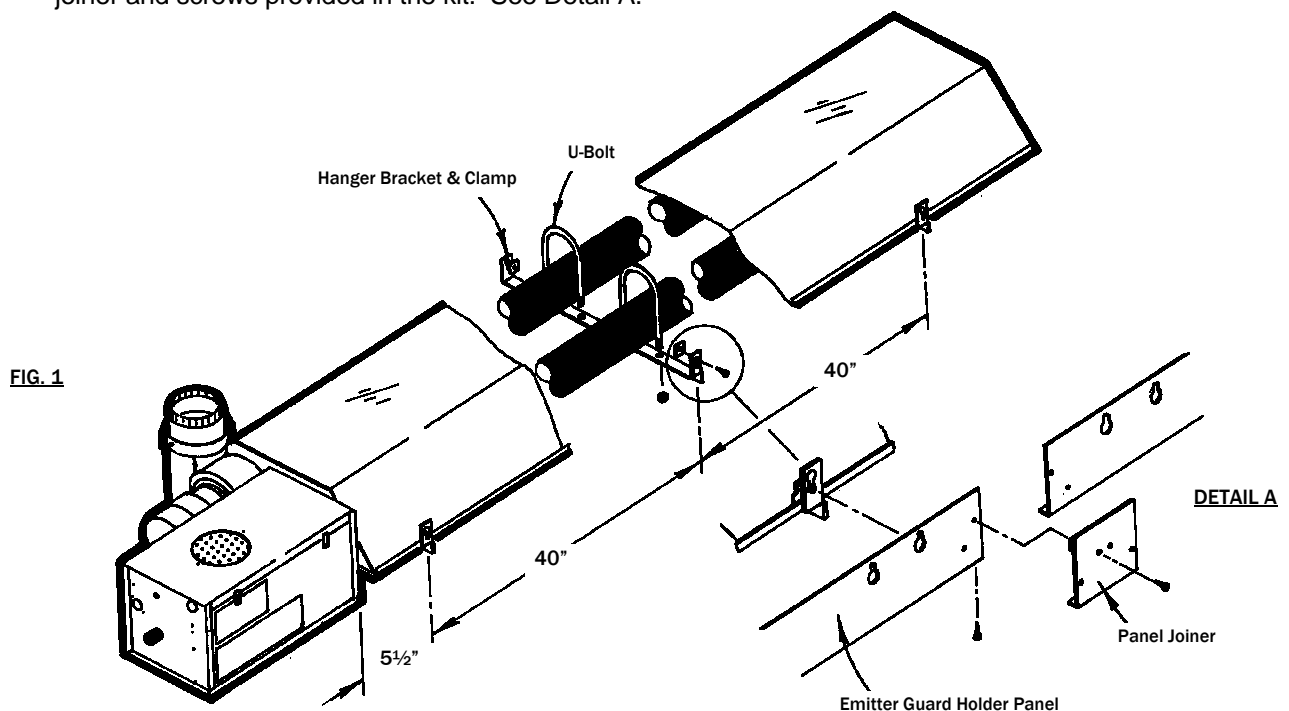
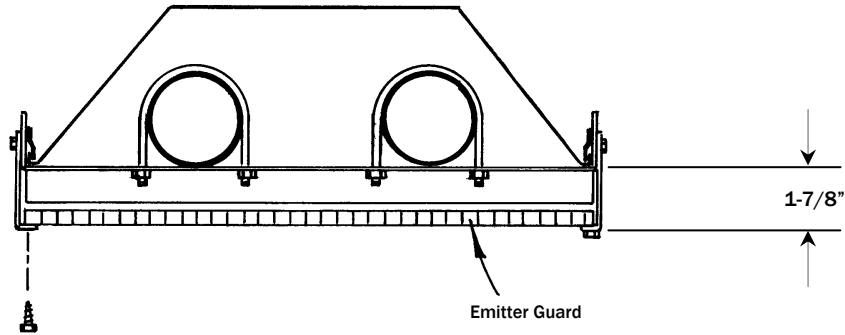


FIG. 1

3. Loosen the clamp screws on each hanger bracket clamp.
4. Align the slots of the pre-assembled holder panels with the slots in the hanger brackets. Slip the slots over the screw heads of each clamp screw.
5. Tighten each clamp screw until the panels are securely in place.
6. Slide both sections of the emitter guard onto the holder panels from one end of the heater until they are flush with the heater reflector.

FIG. 2



7. Insert screws into the bottom corners of each emitter guard holder panel. This will prevent the emitter guard from sliding. See Figure 2.

KIT NO. 43485000

PART NO.	DESCRIPTION	QTY
02125130	Machine Screw #10-24 x 1/2	2
02127110	Hex Nut 5/16-18	4
02212020	Sheet Metal Screw #8 x 1/2	16
30366050	Emitter Guard 18-1/4 x 48" Long	2
42769010	Hanger Clamp	2
42770000	U-bolt	2
42773000	Hanger Bracket	1
43507000	Emitter Guard Holder Panel	4
43508000	Center Panel Joiner	2
43509000	Form, Emitter Guard Kit	1

Space-Ray
P.O. Box 36485 ▪ Charlotte, NC 28236 ▪ (704) 372-3485
www.spaceray.com ▪ info@spaceray.com