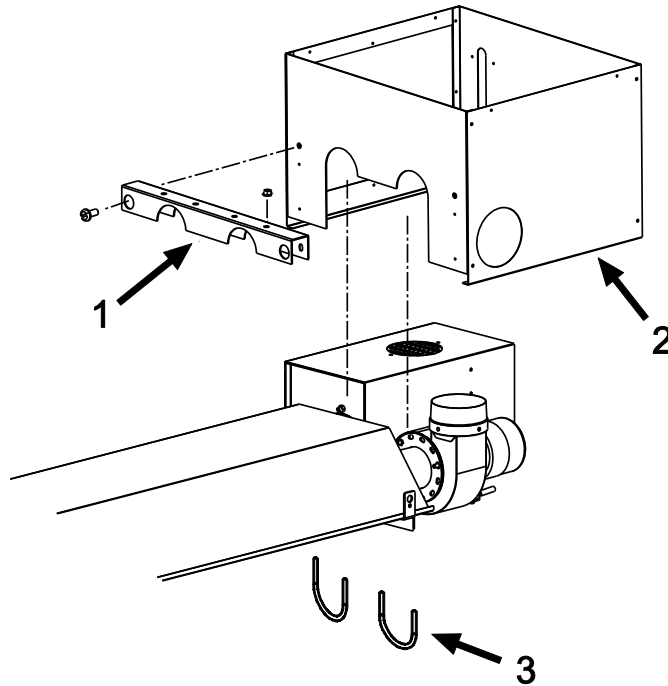
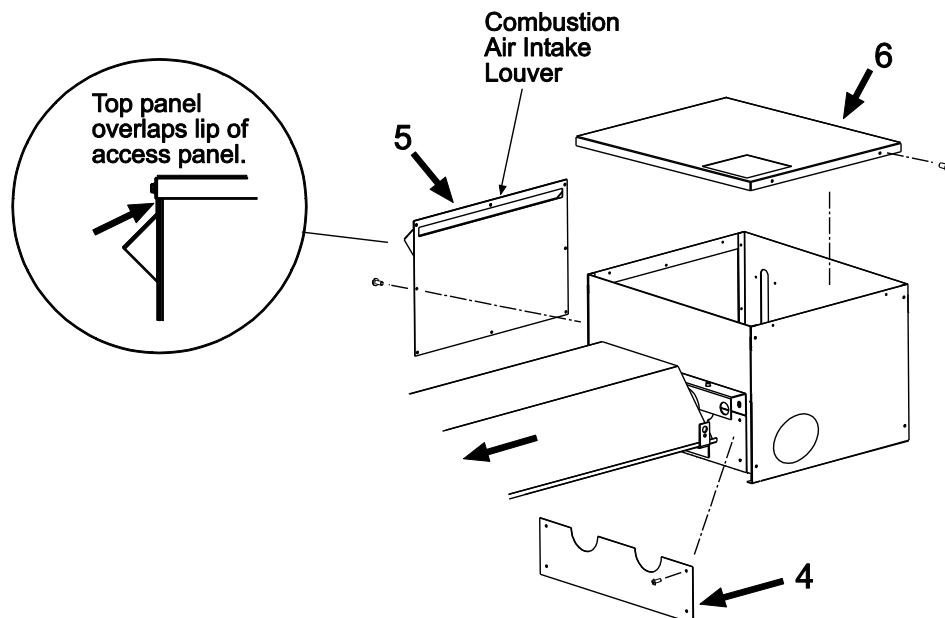


ATTACHMENT OF INDOOR COVER ASSEMBLY (19-1/4 W x 16-3/4 L x 12-13/16 H)

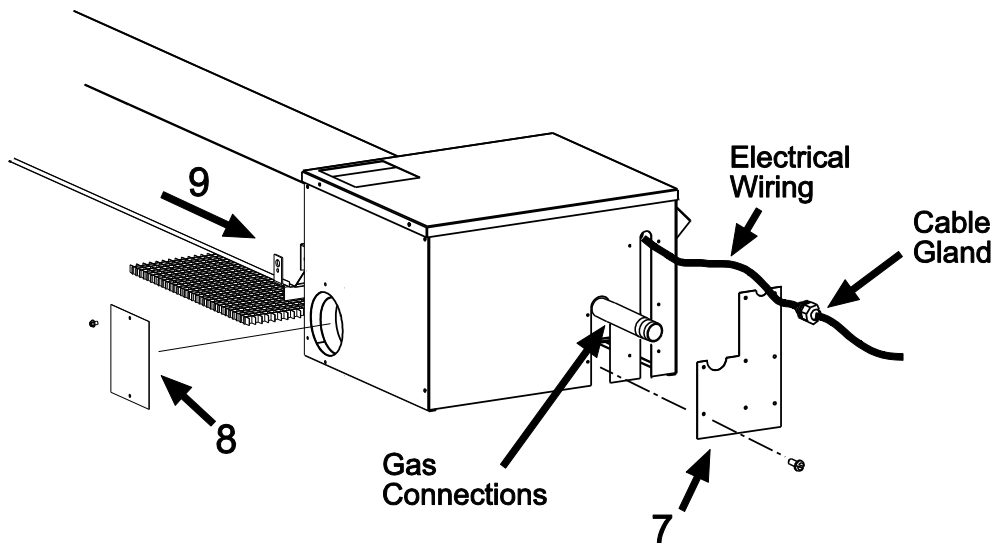
1. Pre-assemble the **tube yoke** to the housing assembly using (2) hex head cap screws provided in kit.
2. Slide the **welded housing assembly** over the heater control and draft inducer assemblies until the tube yoke is resting on the heater tubes.
3. Secure the **tube yoke** to the heater tubes using (2) U-bolts and hex head nuts provided in kit. Tighten these to a snug fit.



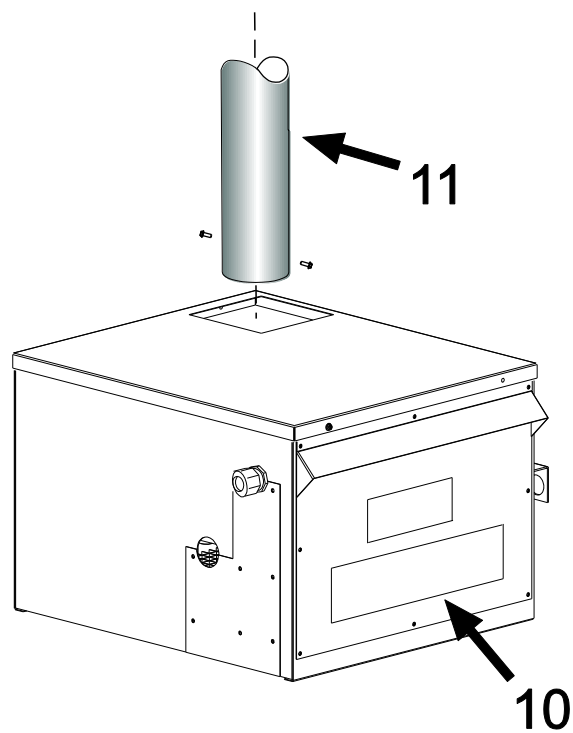
4. Place the front **hole cover plate** under the yoke and secure to housing using (4) sheet metal screws. **Note:** It may be necessary to slide the reflector back slightly in order to fasten the plate.
5. Place the **access panel assembly** over opening with the combustion air intake louver on top and secure it to the housing assembly using (8) sheet metal screws.
6. Place the **top panel** over the housing and secure using (4) sheet metal screws. **Note:** The top panel will overlap lip of access panel as shown.



7. Secure the gas/electrical **connection plate** to the housing using (8) sheet metal screws. Route the heater electrical connection wire through **cable gland**. Insert the **cable gland** into hole for electrical connections and secure with its locknut. Tighten sealing nut of **cable gland** to a snug fit.
8. Place the **cover plate** over the side outlet vent hole and secure to the housing using (2) sheet metal screws.
9. Slide **decorative grille** into bottom of housing.



10. Place **outdoor cover label, logo label and clearances to combustibles label** on access panel assembly.
11. Place the vent pipe through the top panel opening and attach to the draft inducer assembly as outlined in the heater installation and operation instructions.



Kit Components

Item No.	Part No.	Description	Qty.
1	02106030	Hex Head Cap Screw 5/16-18 x 5/8"	2
2	02127110	Hex Nut 5/16-18	4
3	02212020	Hex Head Sheet Metal Screw #8 x 1/2"	26
4	42770000	U Bolt Clamp - 3"OD Tube	2
5	44442069	Cover Plate - Front Hole	1
6	44442139	Top Panel (with vent hole)	1
7	44442089	Connection Plate	1
8	44442099	Tube Yoke	1
9	44443989	Access Panel Assembly	1
10	44443999	Welded Housing Assembly	1
11	30366070	Decorative Grille	1
12	30635030	Cable Gland	1
13	44442129	Cover Plate - Vent Hole	1
14	44445050	Form, Installation (not shown)	1
15	---	Label, Clearances (not shown)	1
16	---	Label, Logo (not shown)	1

