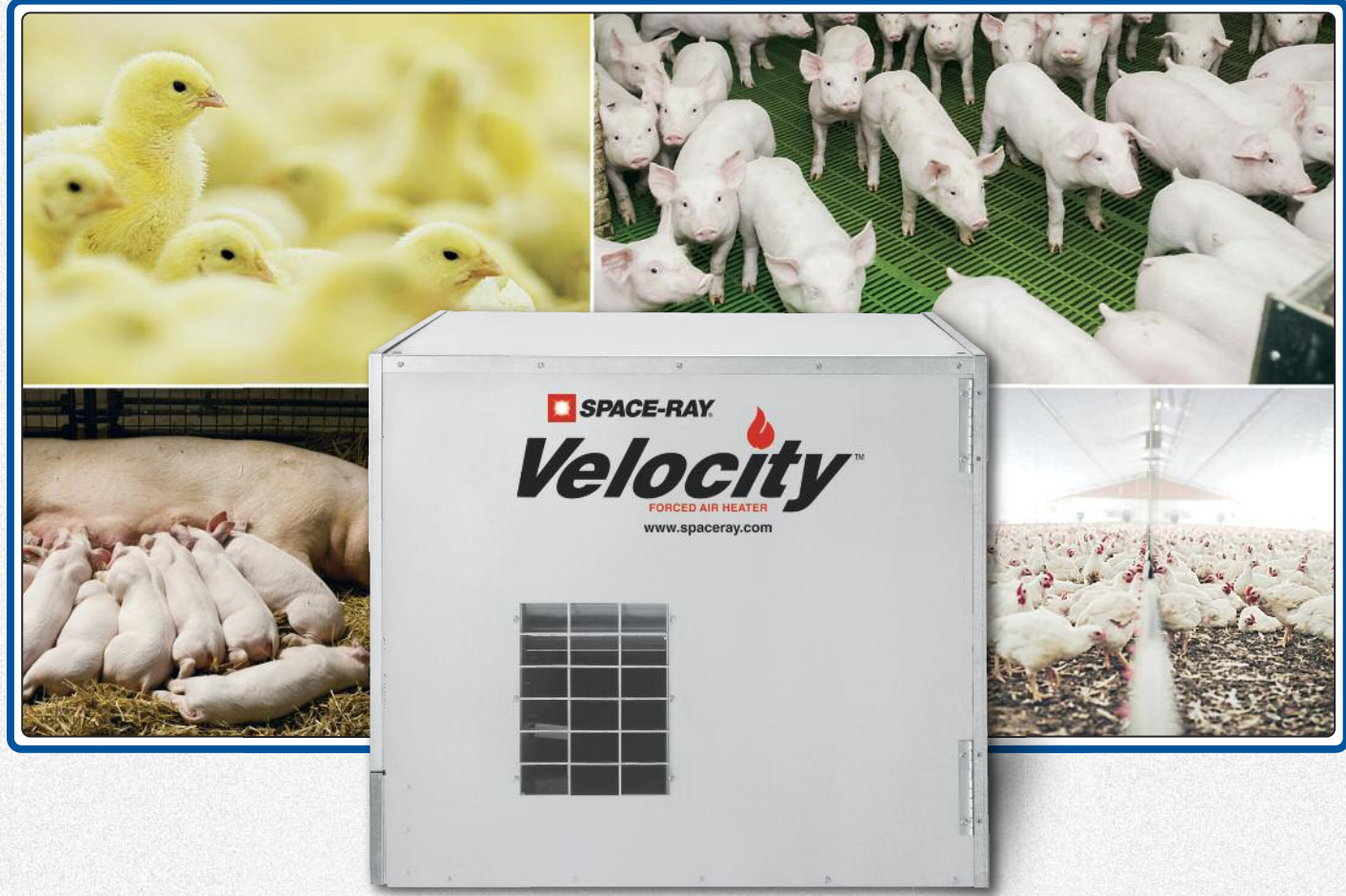




INTRODUCING A NEW,
250,000 BTU/Hr AIR HEATER

Velocity™ VF250 Air Heater



Powerful, Economical & Efficient. The Newest Air Heater For Swine, Poultry & Most Large Animal Brooding Applications.

Our Angle Is On Performance & Quality

- 250,000 BTU/hr Max / 160,000 BTU/hr Min Heat Output.
- Variable Manual Heat Output Adjustment.
- Direct Spark Ignition (DSI).
- Large Selection Of Discharge Accessories.
- Corrosion Resistant.
- Indoor Or Outdoor Operation.
- Propane Or Natural Gas.

Space-Ray's new Velocity™ is the latest in our series of animal brooding heaters. This high performance heater produces a powerful 250,000 BTU/Hr output, providing a warm, healthy environment for your brooding operations.

The new Velocity is built with corrosion resistant, quality components designed to resist corrosion and withstand continuous duty in the toughest environments including frequent washdowns.

As the original designer of the radiant gas brooder in the U.S., Space-Ray has nearly 70 years of field experience and exposure to agricultural heating applications. Space-Ray – a recognized and trusted name since 1949.

Built For Durability & Corrosion Resistance To Withstand The Rigors Of Agricultural Environments

Motor Assembly

Fully enclosed motor provides reliability in the harshest of environments.

Hinged doors allow for hassle-free access to internal components.

Water tight enclosure helps protect electrical components during cleanouts and wash-downs.

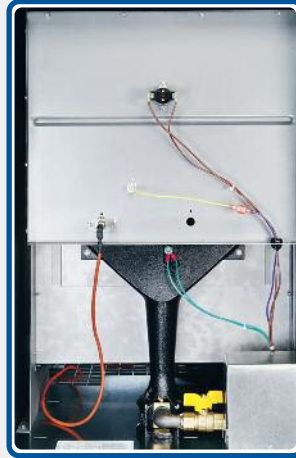


Burner Assembly

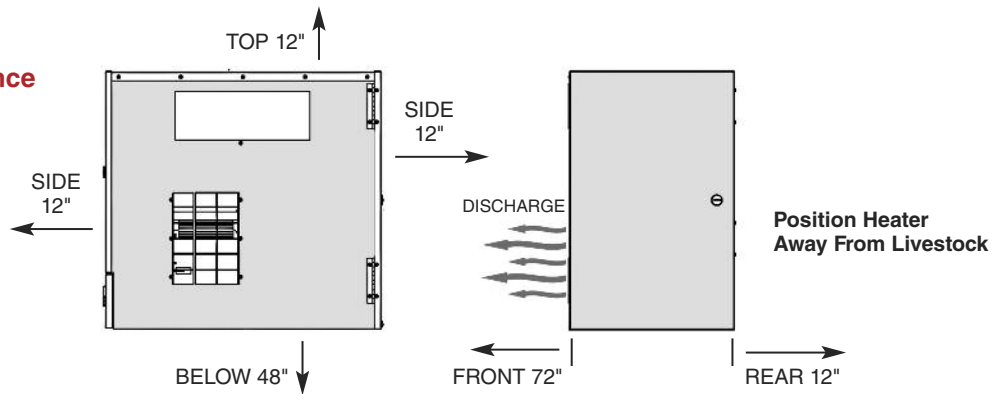
Heavy duty cast iron burner for maximum working life.

Manual turndown-valve allows heat reduction to 75% of full capacity.

1/4 turn door-latches provide easy access to manual turndown-valve.



Minimum Clearance To Combustibles



MODEL	GAS TYPE	IGNITION TYPE	INPUT RATING BTU/HR		GAS SUPPLY PRESSURE		MANIFOLD PRESSURE	ORIFICE	GAS CONSUMPTION
			MIN	MAX	MIN*	MAX			
VF250 -N5 DSI	NATURAL	DIRECT SPARK	160,000	250,000	7" W.C.	14" W.C.	4.0" W.C.	Ø 0.290"	250 CFH (2.5 THERM)
VF250 -L5 DSI	PROPANE				11" W.C.	14" W.C.	10.0" W.C.	Ø 0.176"	2.73 GPH

*The minimum input gas supply pressure for the purpose of input adjustment

MODEL	VENTILATION REQUIRED	DIMENSIONS (INCHES)	WEIGHT	ELECTRICAL SUPPLY	TOTAL AMP DRAW	MOTOR RATING
VF250	1,000 CFM	30.66w 18.32d 28.42h	112 lbs	120 VAC 1 PHASE 60 HZ	4.0	1/3 HP. 1075 RPM
VF80				230 VAC 1 PHASE 50 HZ	2.0	1/4 HP. 1075 RPM

FOR YOUR SAFETY

OPERATE SPACE-RAY HEATERS WITH PROPER CARE AND OBSERVE ALL SAFETY PRECAUTIONS. Installation and service must be performed by a licensed contractor. The installation must conform to local codes. Please thoroughly read and follow the installation and operating instructions provided with each heater. In the absence of local codes, the installation must conform with the National Fuel Gas Code ANSI Z223.1 (latest edition) also known as NFPA54 or CGA B 149 installation codes (latest edition). These codes are available from the National Fire Protection Assn, Inc., Batterymarch Park, Quincy, MA02269 (www.nfpa.org) or contact CSA at 1-800-463-6727.



SPACE-RAY®

A Division of Gas-Fired Products, Inc.
305 Doggett St. PO Box 36485, Charlotte, NC 28236
Toll Free 1-800-849-7311 (704)372-3488 FAX (704)332-5843
Email: info@spaceray.com Web: www.spaceray.com
Plants in Charlotte, NC, and Ipswich, England



DISTRIBUTED BY _____