

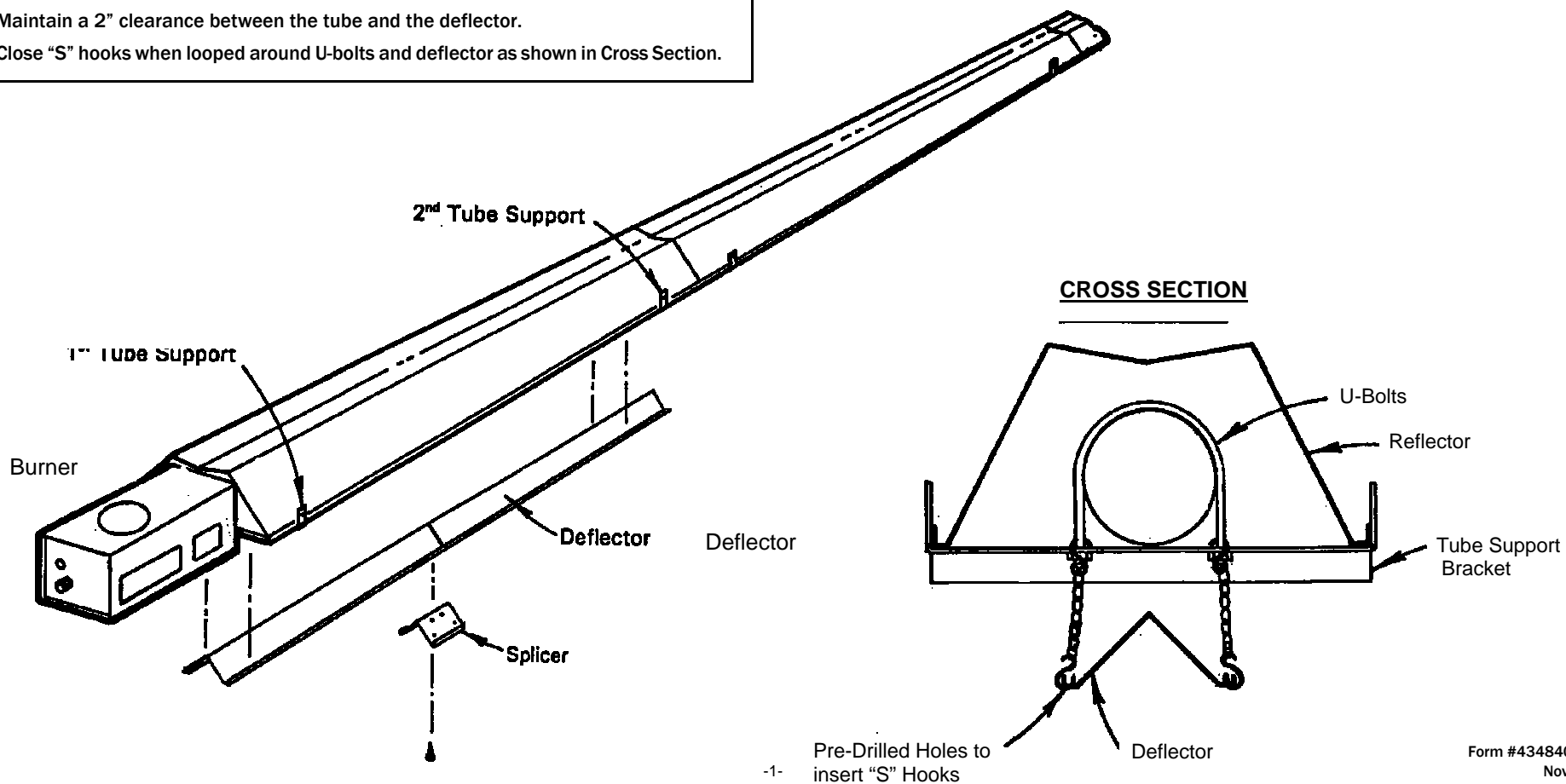
SPACE-RAY
INFRARED GAS HEATERS

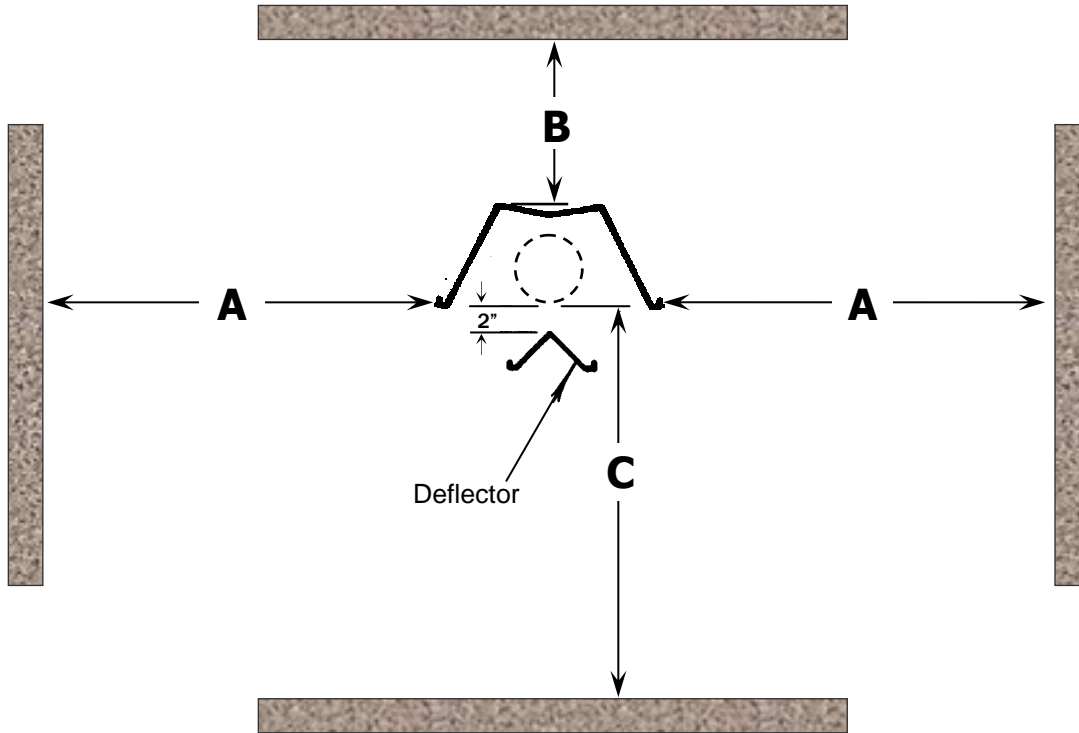
DEFLECTOR ASSEMBLY

MODELS: LTS, ETS and PTS 40 - 175

INSTRUCTIONS:

1. Preassemble deflectors by joining ends together and overlapping with the splicer as shown. Secure the deflector ends to the splicer with the #8 self-drilling screws provided. Holes are prepunched in the splicer for proper spacing of screws.
2. Suspend the deflector with chains from the tube support brackets.
3. Maintain a 2" clearance between the tube and the deflector.
4. Close "S" hooks when looped around U-bolts and deflector as shown in Cross Section.





MINIMUM CLEARANCES TO COMBUSTIBLES (In Inches)

MODELS	A	B*	C
LTS/ETS/PTS 40	30	6	30
LTS/ETS/PTS 50	30	6	30
LTS/ETS 60	30	6	42
LTS/ETS/PTS 75	30	6	42
LTS/ETS 80	52	6	59
LTS/ETS 90	52	6	59
LTS/ETS/PTS 100	66	6	62
LTS/ETS 110	66	6	71
LTS/ETS 120	66	6	71
LTS/ETS/PTS 125	66	6	71
LTS/ETS 130	66	6	71
LTS/ETS 140	84	6	74
LTS/ETS/PTS 150	84	6	74
LTS/ETS 160	84	6	74
LTS/ETS/PTS 175	84	6	74

* Ceiling clearance is **12"** on LTS/ETS/PTS40-75 or **18"** on LTS/ETS/PTS80-175 when installed in an **UNVENTED** configuration or **18"** when the LTS/ETS elbow is used without the corner reflector.