

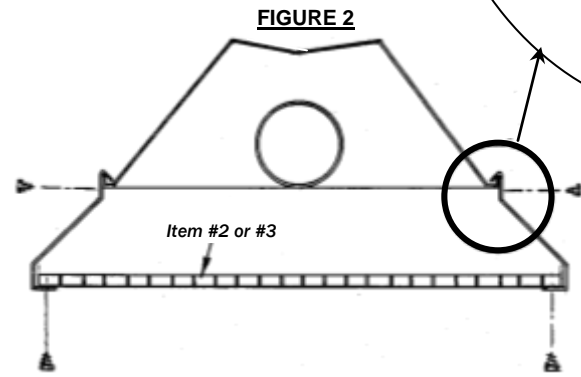
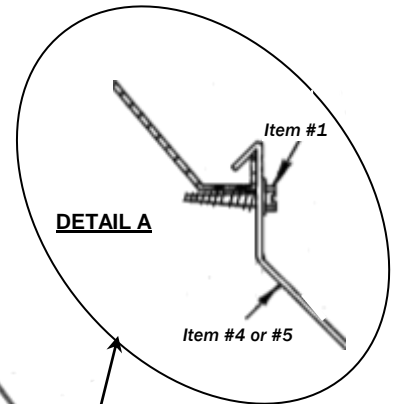
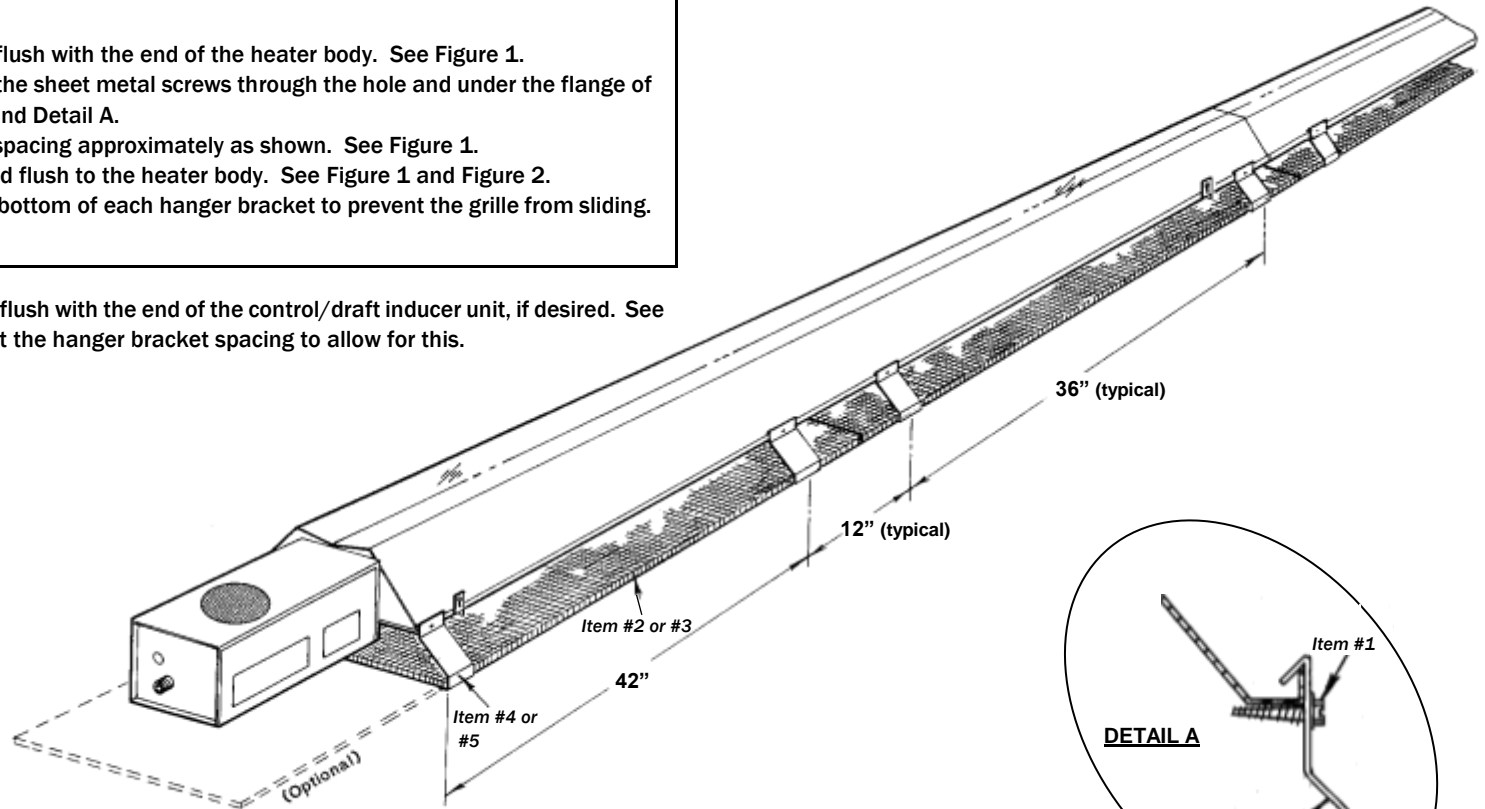
## INSTALLATION OF DECORATIVE GRILLE

### MODELS: LTS, LTU, ETS, PTS and CB

**INSTRUCTIONS:**

1. Place the first two (2) hanger brackets flush with the end of the heater body. See Figure 1.
2. Lock the brackets in place by inserting the sheet metal screws through the hole and under the flange of the main body reflector. See Figure 2 and Detail A.
3. Place remaining hanger brackets with spacing approximately as shown. See Figure 1.
4. Slide grille sections in place with the end flush to the heater body. See Figure 1 and Figure 2.
5. Insert a sheet metal screw through the bottom of each hanger bracket to prevent the grille from sliding. See Figure 2.

**NOTE:** The Decorative Grille may be placed flush with the end of the control/draft inducer unit, if desired. See Figure 1. If you choose this option, readjust the hanger bracket spacing to allow for this.



**FIGURE 1**  
Model LTS Shown

ITEM NO.	PART NO.	DESCRIPTION
1	40220303	#8 x 3/4" Sheet Metal Screw
2	30366010	Decorative Grille - 2 ft. x 4 ft.
3*	30366020	Decorative Grille - 3 ft. x 4 ft.
4	43227000	Hanger Bracket (for 18" and 28" wide reflectors)
5**	43227010	Hanger Bracket (for 13" wide reflectors)

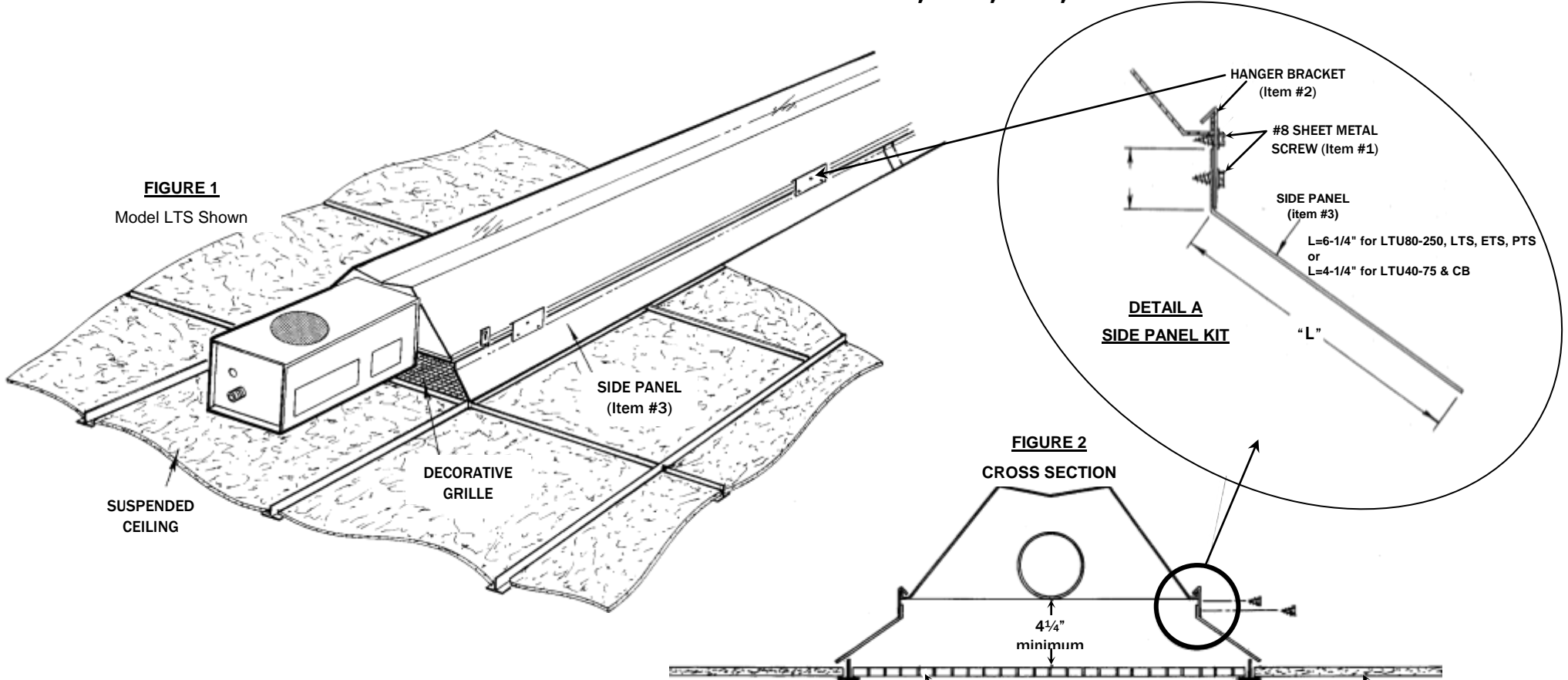
\* For Models LTU80-250 Only.

\*\* For Models LTS, ETS, PTS and CB Only.

**Note:** Decorative Grilles are 4 ft. long each. Please order correct quantities for total heater length.

# INSTALLATION OVER NON-COMBUSTIBLE SUSPENDED CEILINGS (with Decorative Grille)

**MODELS: LTS, LTU, ETS, PTS and CB**



2 ft. x 4 ft., Part #30366010 for LTU40-75, LTS, ETS, PTS & CB  
3 ft. x 4 ft., Part #30366020 for LTU80-250

**▲WARNING: DO NOT** install this heater over combustible ceilings. Units installed in this configuration **MUST BE VENTED** per state and local codes or the authority having jurisdiction. This heater is subject to all clearances to combustibles shown on the heater when installed in this configuration.

**NOTES:**

- 1) The size of the ceiling tiles may vary from manufacturer to manufacturer. Verify that the heater width is compatible with the ceiling tile width prior to installation.
- 2) A minimum distance of 4-1/4" (shown in Fig. 2) must be maintained.
- 3) Side Panel Kits are 5 ft. long each. Decorative Grilles are 4 ft. long each. Please order correct quantity of Side Panels and Decorative Grilles for total heater length.

SIDE PANEL KIT NO. 43236500 — FOR LTS, ETS, PTS and LTU80-250 —			
Item#	Part No.	Description	Qty.
1	02195010	Sheet Metal Screw #8	12
2	43226000	Hanger Bracket	4
3	43507050	Side Panel, 6 1/4" x 59 1/2"	2

SIDE PANEL KIT NO. 43236510 — FOR CB20-50 and LTU40-75 —			
Item#	Part No.	Description	Qty.
1	02195010	Sheet Metal Screw #8	12
2	43226000	Hanger Bracket	4
3	43507060	Side Panel, 4 1/4" x 59 1/2"	2