

Sports Guard Kit

Models: LTS, LTU, ETS, PTS and CB

DESCRIPTION:

The sports guard is an accessory for field installation on model heaters indicated above. This is to prevent tennis balls, basketballs, etc. from hitting the emitter tubes or from being lodged between the reflectors and emitter tubes. Order kits for each heater model based on the table below.

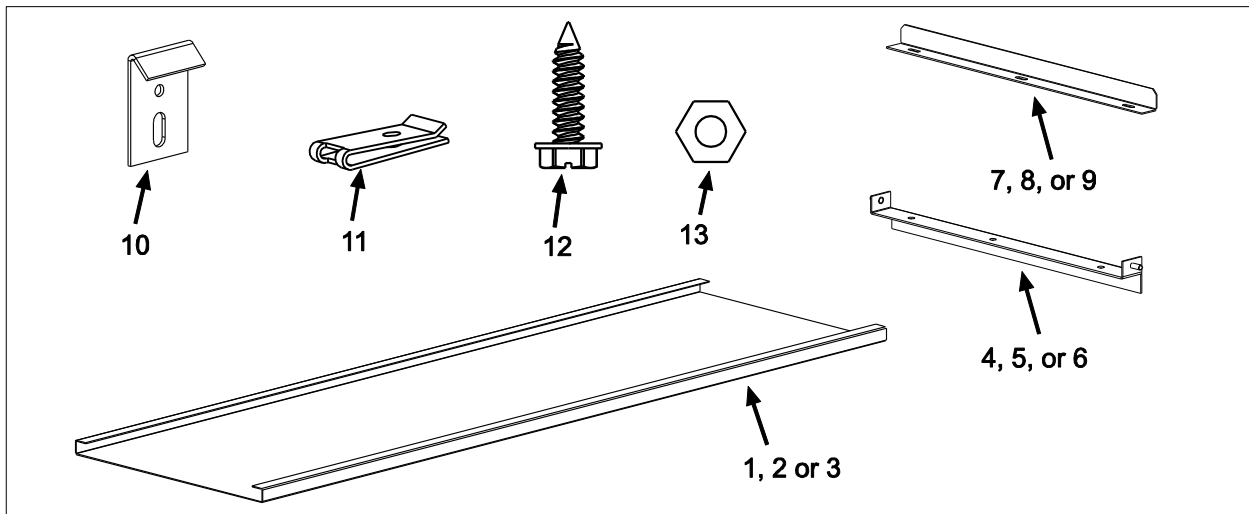
- | | |
|-------------------------|--|
| KIT NO. 44535010 | Sports Guard Kit – 13” Wide x 15FT – with Closure |
| KIT NO. 44535020 | Sports Guard Kit – 13” Wide x 20FT – with Closure |
| KIT NO. 44535030 | Sports Guard Kit – 13” Wide x 10FT |
| KIT NO. 44535040 | Sports Guard Kit – 13” Wide x 20FT |
| KIT NO. 44535050 | Sports Guard Kit – 18” Wide x 8FT - with Closure |
| KIT NO. 44535060 | Sports Guard Kit – 18” Wide x 15FT - with Closure |
| KIT NO. 44535070 | Sports Guard Kit – 28” Wide x 15FT |
| KIT NO. 44535080 | Sports Guard Kit – 28” Wide x 20FT |
| KIT NO. 44535100 | Sports Guard Kit – 28” Wide x 10FT |

	44535010 SPORTS GUARD KIT 13" x 15FT WITH CLOSURE	44535020 SPORTS GUARD KIT 13" x 20FT WITH CLOSURE	44535030 SPORTS GUARD KIT 13" x 10FT	44535040 SPORTS GUARD KIT 13" x 20FT	44535050 SPORTS GUARD KIT 18" x 8FT WITH CLOSURE	44535060 SPORTS GUARD KIT 18" x 15FT WITH CLOSURE	44535070 SPORTS GUARD KIT 28" x 15FT WITH CLOSURE	44535080 SPORTS GUARD KIT 28" x 20FT WITH CLOSURE	44535100 SPORTS GUARD KIT 28" x 10FT
LTS/ETS 15 ft	1								
LTS/ETS/PTS 20 ft		1							
LTS/ETS/PTS 30 ft		1	1						
LTS/ETS/PTS 40 ft		1		1					
LTS/ETS/PTS 50 ft		1	1	1					
LTS/ETS/PTS 60 ft		1		2					
LTS/ETS/PTS 70 ft		1	1	2					
LTS/ETS 80 ft		1		3					
CB 8 ft					1				
LTU 40-75 30 ft						1			
LTU80,90,100,110, 120,125,130 - 30 ft							1		
LTU125,130,140, 150,160,175 - 40 ft								1	
LTU180,200,225, 250 - 50 ft							1		1

Sports Guard Kit

Models: LTS, LTU, ETS, PTS and CB

COMPONENTS PER KIT			KIT NUMBERS										
			44535010	44535020	44535030	44535040	44535050	44535060	44535070	44535080	44535090	44535100	
Item No.	Part No.	Description											
1	30792130	Screen Guard 13" Wide x 60" Long	3	4	2	4							
2	30792180	Screen Guard 18" Wide x 60" Long					2	3					
2a	30792181	Screen Guard 18" Wide x 30" Long						1					
3	30792280	Screen Guard 28" Wide x 60" Long							3	4	1	2	
3a	30792281	Screen Guard 28" Wide x 30" Long							1	1			
4	43226027	Strap Assembly - 28" Wide							11	14	3	6	
5	43226028	Strap Assembly - 18" Wide					6	11					
6	43226029	Strap Assembly - 13" Wide	9	12	6	12							
7	43226080	End Closure - 28" Wide							2	2			
8	43226090	End Closure - 18" Wide					2	2					
9	43226100	End Closure - 13" Wide	2	2									
10	43226070	Hanger Bracket	18	24	12	24	12	22	22	28	6	12	
11	02104060	Speed Clip Nut - #10	22	28	12	24	24	39	39	48	9	18	
12	02192020	Screw #10 x 3/4"	40	52	24	48	36	51	61	76	15	30	
13	02167020	Hex Locknut #10-24	18	24	12	24	12	22	22	28	6	12	

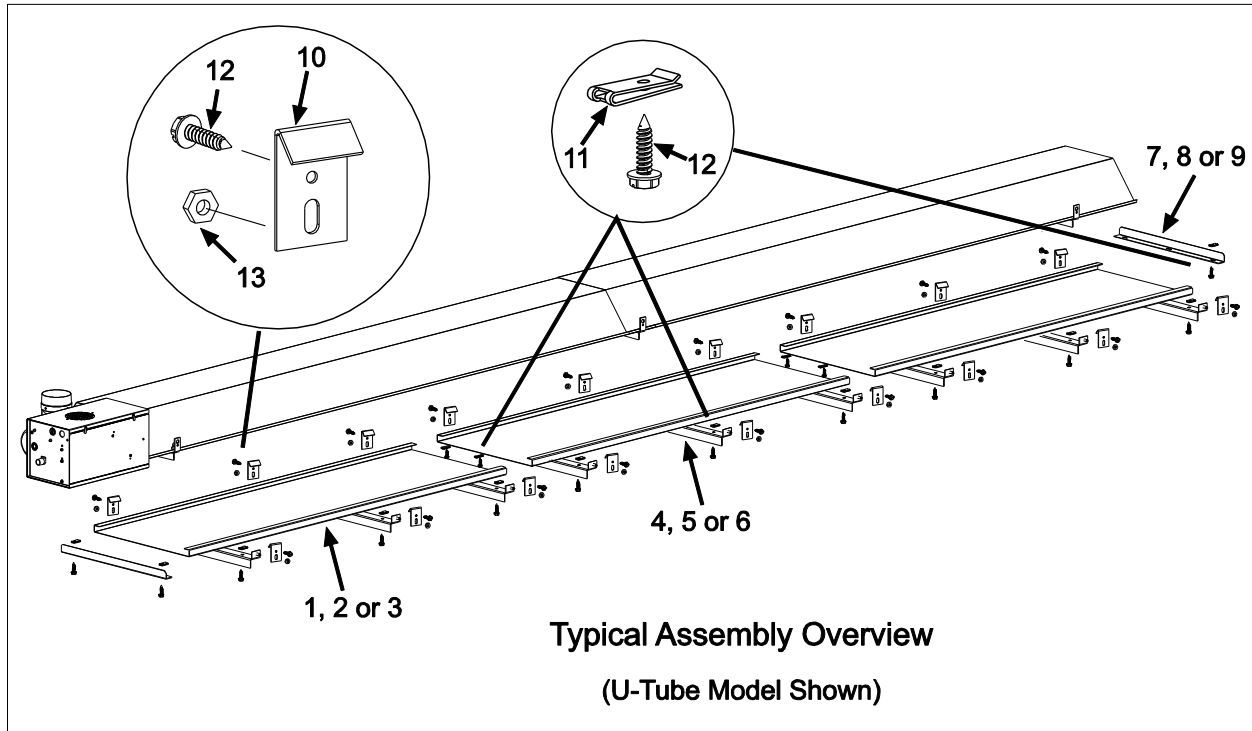


Sports Guard Kit

Models: LTS, LTU, ETS, PTS and CB

ASSEMBLY INSTRUCTIONS:

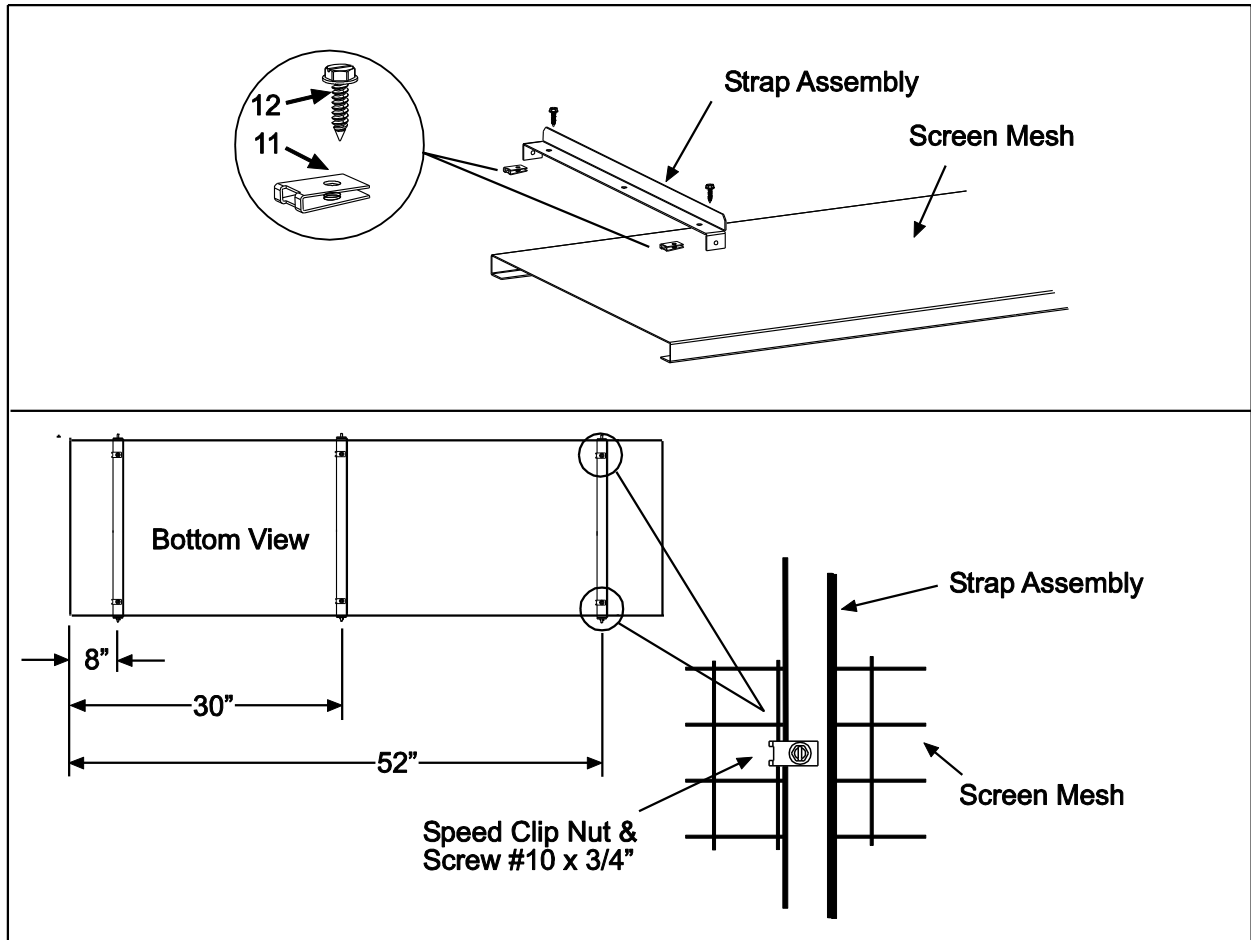
Refer to the **Typical Assembly Overview** shown below for the general layout of all sports guards. **Note: A U-tube model heater is shown in the illustrations. All other models are assembled in the same fashion.**



Sports Guard Kit

Models: LTS, LTU, ETS, PTS and CB

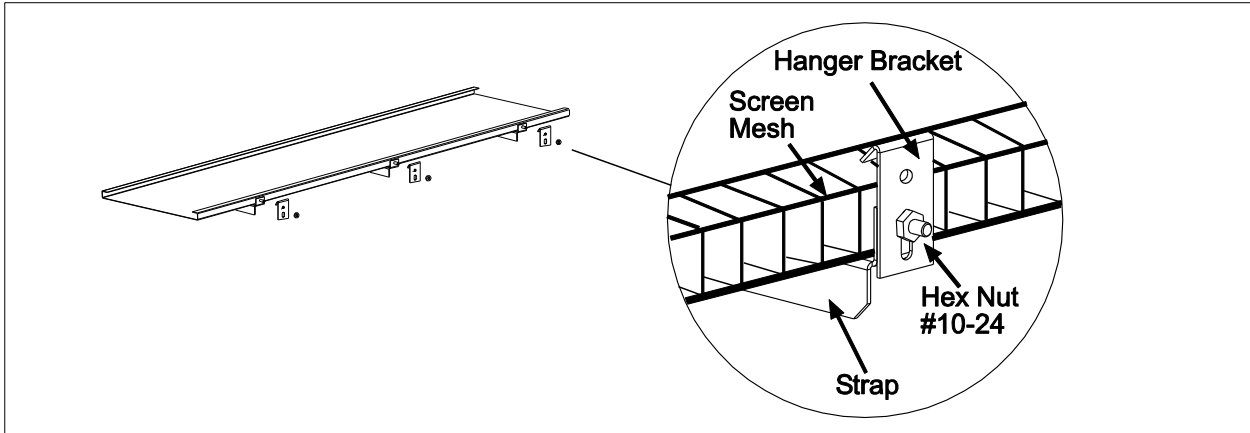
1. Lay the screen mesh over and space the strap assemblies approximately as shown below. **Note: It may be necessary to make slight spacing adjustments to the strap assemblies to avoid interference with the tube hanger/support brackets of the heater.**
Secure the strap assemblies to the screen by inserting (2) #10 x 3/4" screws through holes of the strap assembly and speed clip nuts capturing screen mesh. See figure below.



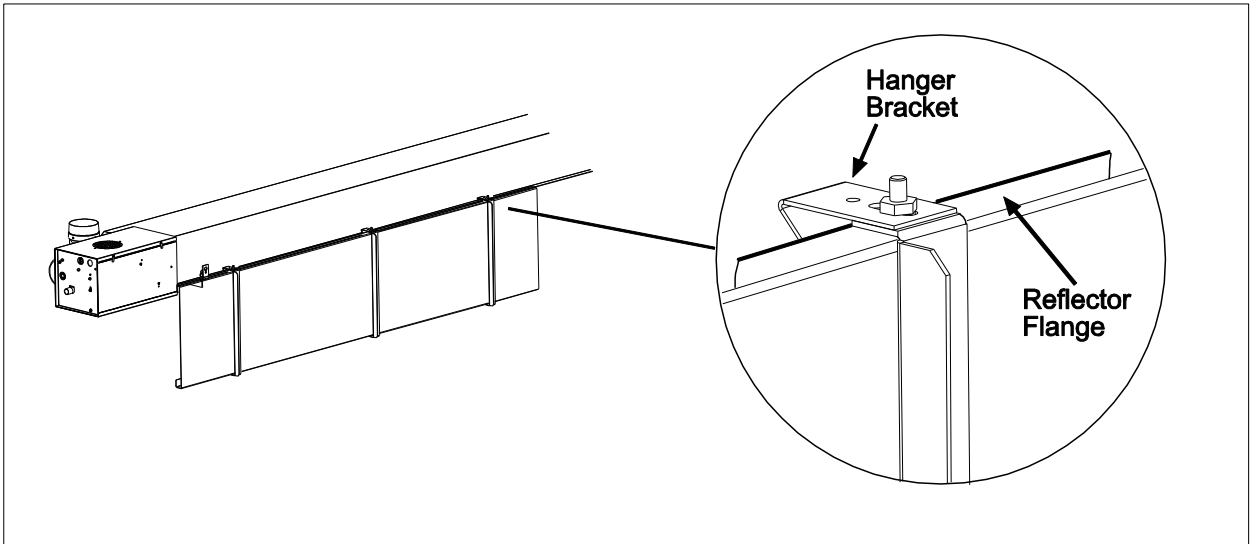
Sports Guard Kit

Models: LTS, LTU, ETS, PTS and CB

2. Attach the hanger brackets on each side of the strap assemblies using the #10-24 hex nuts. **DO NOT TIGHTEN** the nuts at this point.



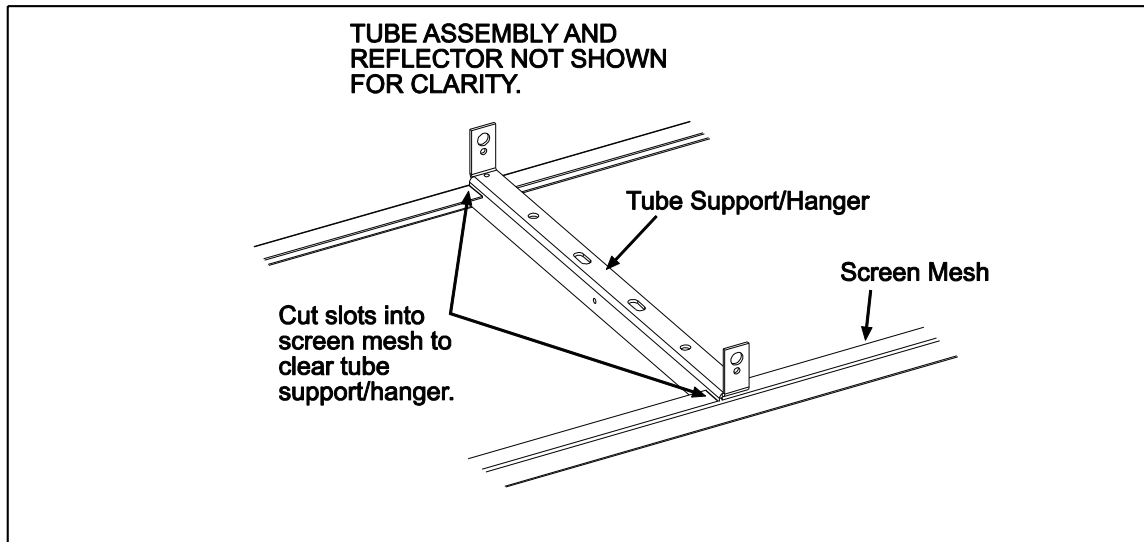
3. Hang the screen mesh assembly on the flange of the first heater reflector and flush with the end of reflector.



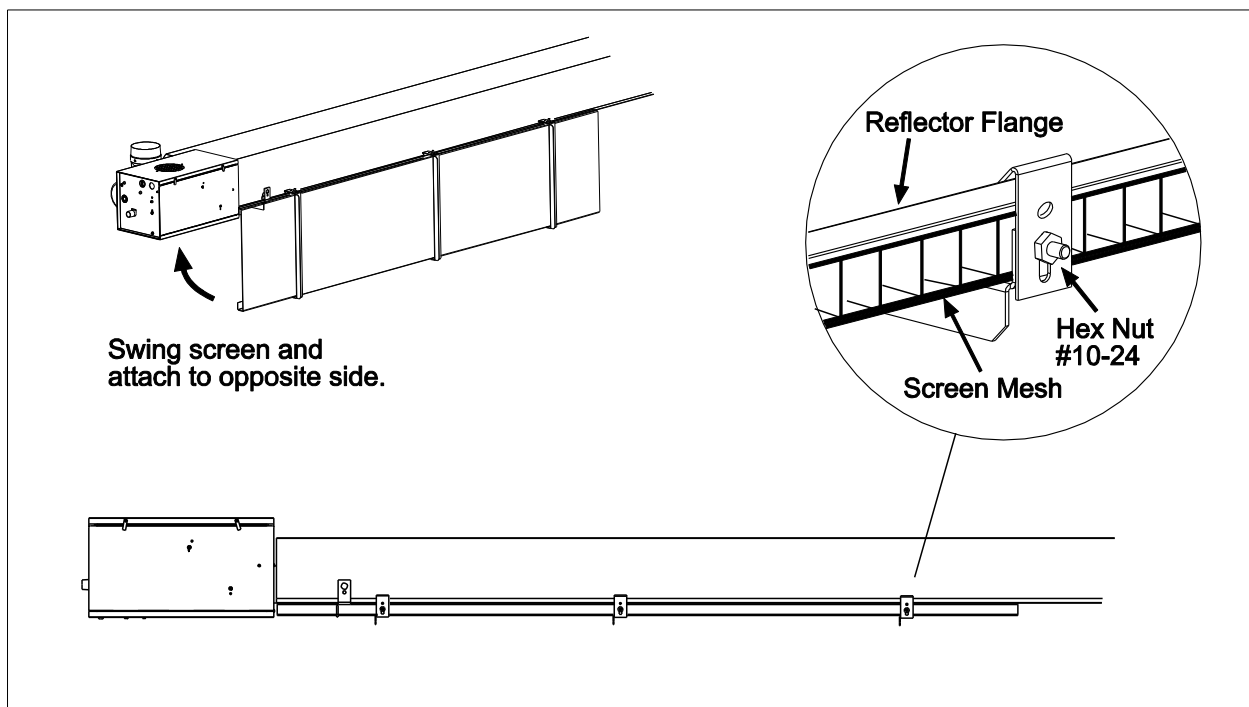
Sports Guard Kit

Models: LTS, LTU, ETS, PTS and CB

4. It will be necessary to cut a slot in both sides of the screen mesh where each tube support/hanger is located.



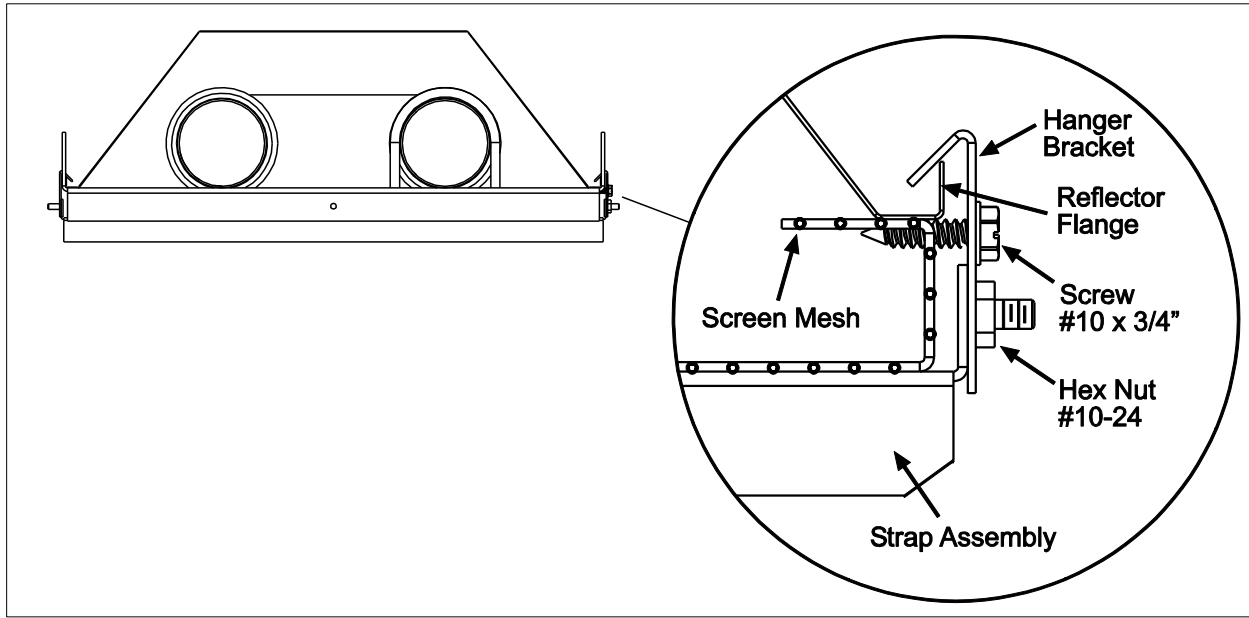
5. Swing the screen mesh assembly and attach to the opposite side of the heater. Push the screen up against the bottom of the reflector. Tighten all of the #10-24 hex nuts on each side.



Sports Guard Kit

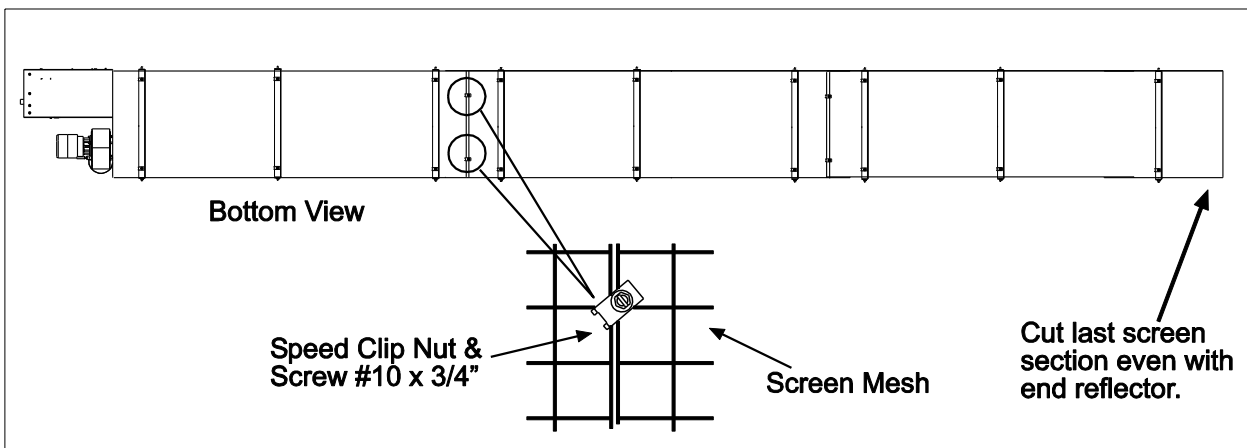
Models: LTS, LTU, ETS, PTS and CB

6. Lock the hanger brackets against the reflector using the #10 x 3/4" screws. See below for the side view of the complete attachment.



7. Hang each additional screen guard assemblies and attach as described earlier. Join the screen guard assemblies together using (2) speed clip nuts and #10 x 3/4" screws per joint as shown below. Place the speed clips diagonally as show between both sections of the screen mesh.

8. Cut the portion of screen that extends past the last reflector as shown.



Sports Guard Kit

Models: LTS, LTU, ETS, PTS and CB

For LTS/ETS/PTS Series:

Assemble each full 13" x 60" screen onto heater starting from burner control end working towards exhaust end. Cut last 13" x 60" screen to fit even with the end reflector.

For CB20-50 (3" Diameter Tube with U-Bend) Series:

Assemble first full 18" x 60" screen onto heater starting at burner control end. Cut last 18" x 60" screen to fit even with the end reflector.

For LTU40-75 (3" Diameter Tube with U-Bend) Series:

Assemble first two 18" x 60" screens starting from burner control end working towards exhaust end. Assemble the 18" x 30". Cut last 18" x 60" screen to fit even with the end reflector.

For LTU80-250 (4" Diameter Tube with U-Bend) Series:

Working from burner control end, assemble all but last 28" x 60" screen. Assemble 30" long screen. Place last 60" long screen, cut screen to fit even with the end reflector

9. Add end closures to each end of screen guard using (2) speed clip nuts and #10 x 3/4" screws as shown below.

