

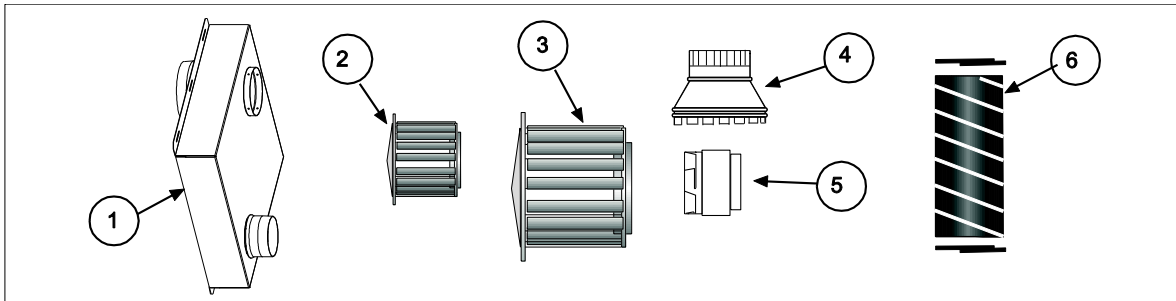
## SINGLE HEATER VENTING (CONCENTRIC VENT)

Requirements for venting heaters with concentric vent are the same as described for SINGLE HEATER VENTING in the Installation and operation manual supplied with the heater except as follows:

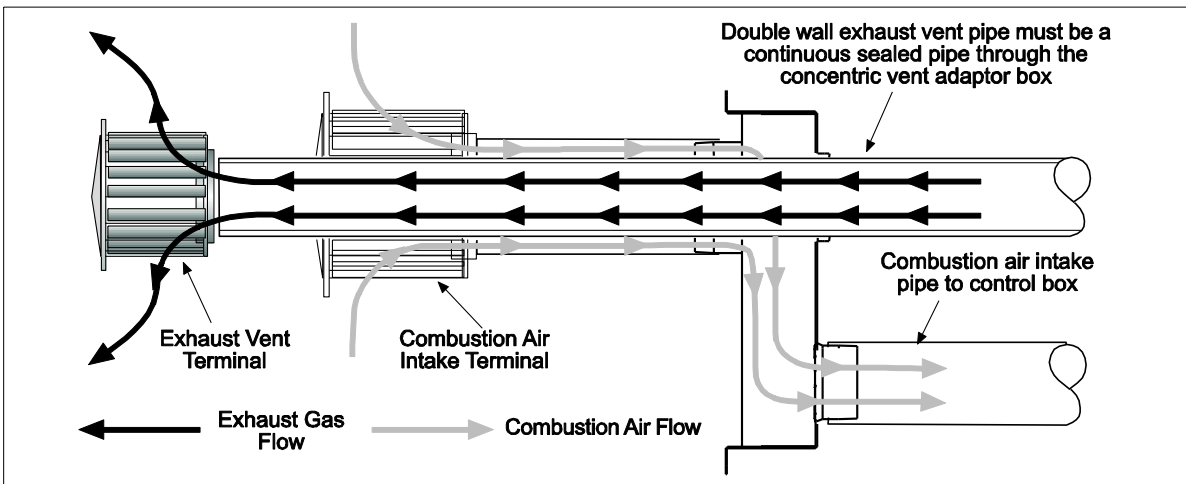
1. The concentric vent adaptor allows for the combustion air and vent piping with only one horizontal or vertical building penetration.
2. Minimum clearance from the concentric vent adaptor box to combustibles is 2" (50mm).
3. The combustion air connection to the control box must be a flexible connection to allow for the expansion and contraction of the heater during operation.
4. The vent pipe through the concentric vent adaptor to the vent terminal must be double wall continuous pipe with no joints, failure to do so may result in soot forming in the vent pipe.

### Kit, Concentric Vent Adapter - (Part No. 44129760)

Components		
Item No.	Part No.	Description
1	44129780	Concentric Vent Adapter Box
2	30297049	Vent Cap - 4" (flue termination)
3	30297068	Combustion Air Intake Terminal - 6" (fresh air termination)
4	42892020	Start Collar - 4 x 6" with Folding Tabs
5	30782040	Flue Adapter - 4" (Type L)
6	44129520	Kit, Flexible Hose (includes 2 tension clamps)
7	02189020	Self-Drill Screws #10-16 x 1/2" (Qty. 25 each)
8	44129990	Form, Installation Instructions

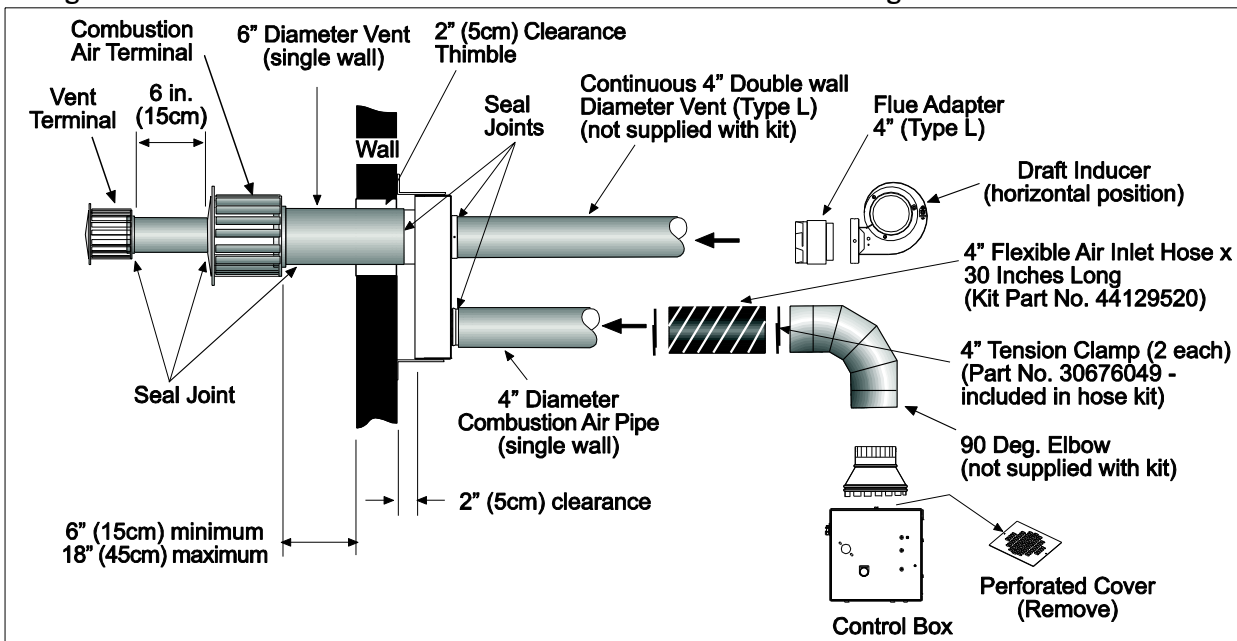


The diagram below shows the principle of operation for the concentric vent adaptor box.

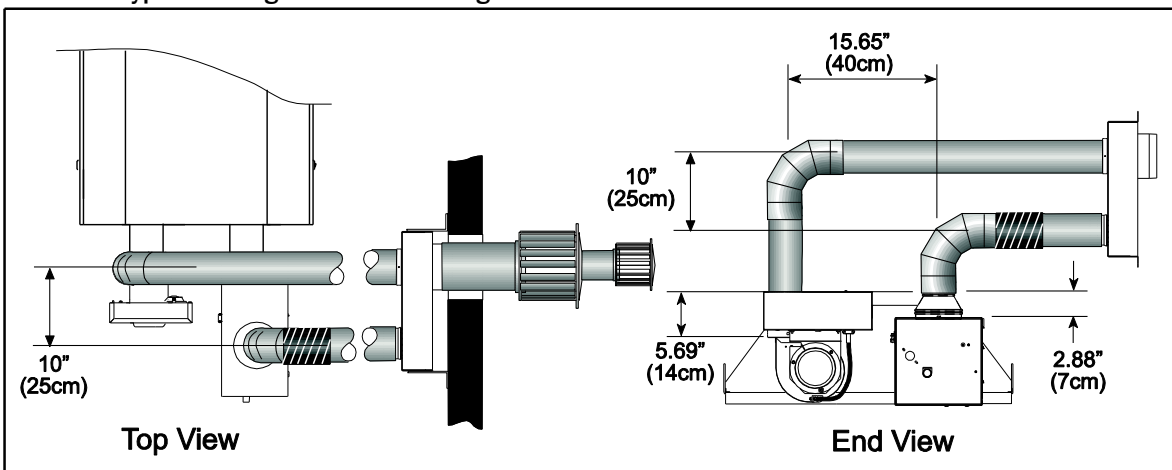


## PULL THROUGH SYSTEMS

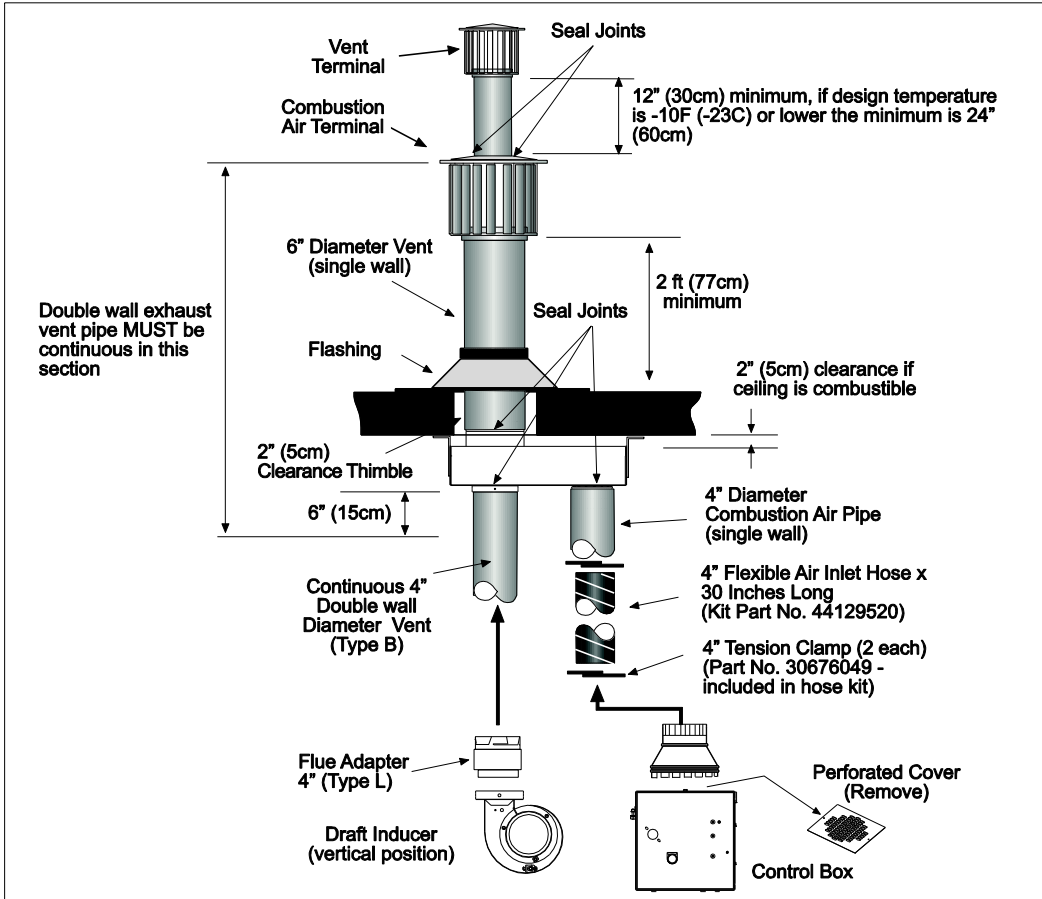
The figure below shows the connection details for horizontal concentric venting for U-TUBES.



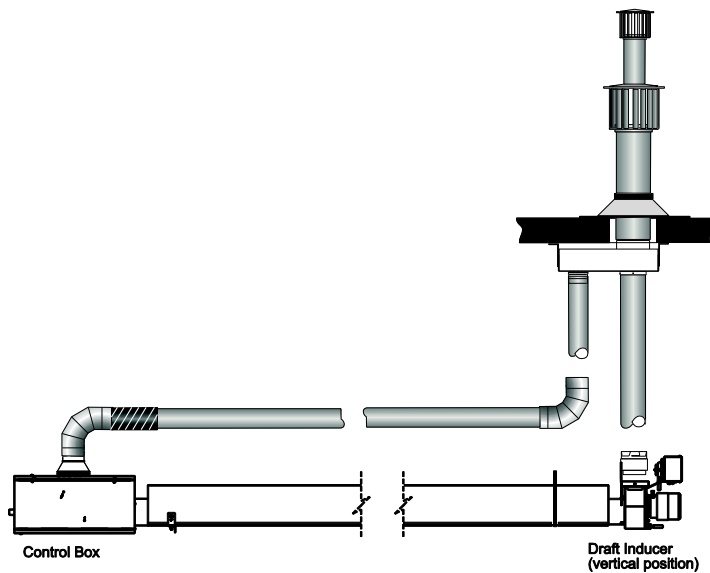
Below are typical arrangements for routing the concentric vent to the **SIDE WALL**.



The figure below shows the connection details for vertical concentric vent through **ROOF**.

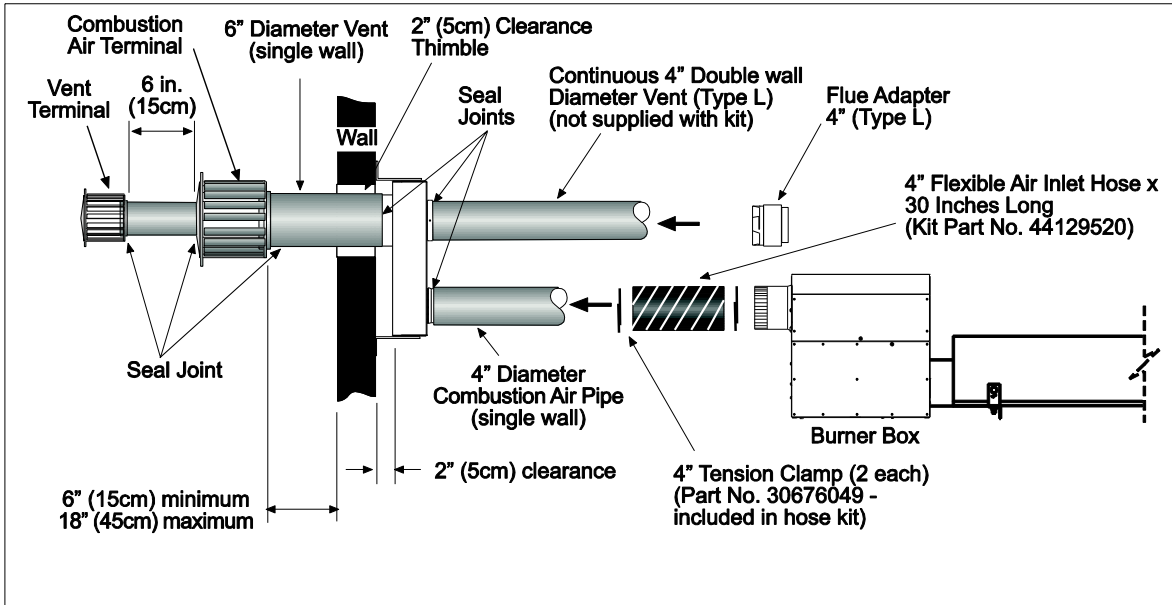


The figure below shows the connection details for vertical concentric vent through roof with **STRAIGHT TUBES**.

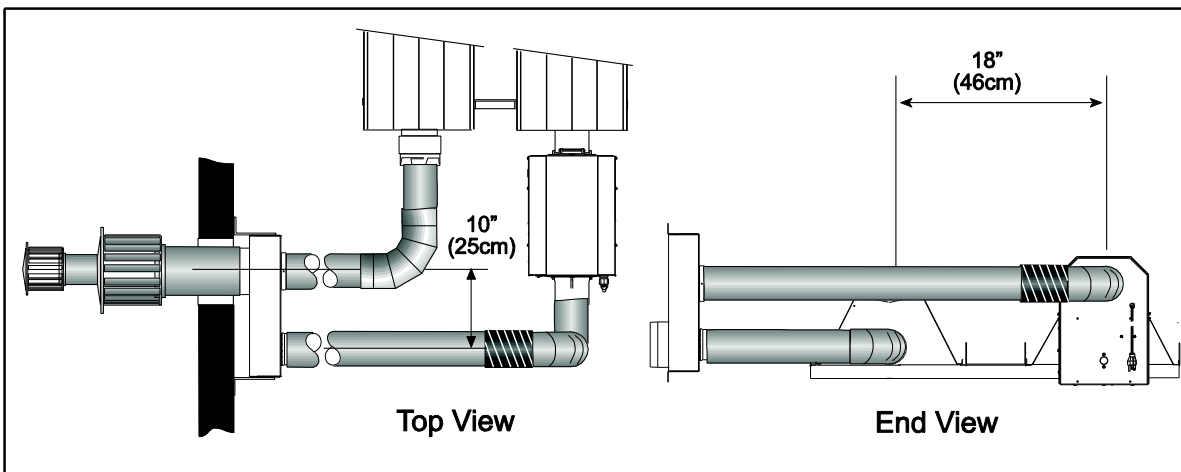
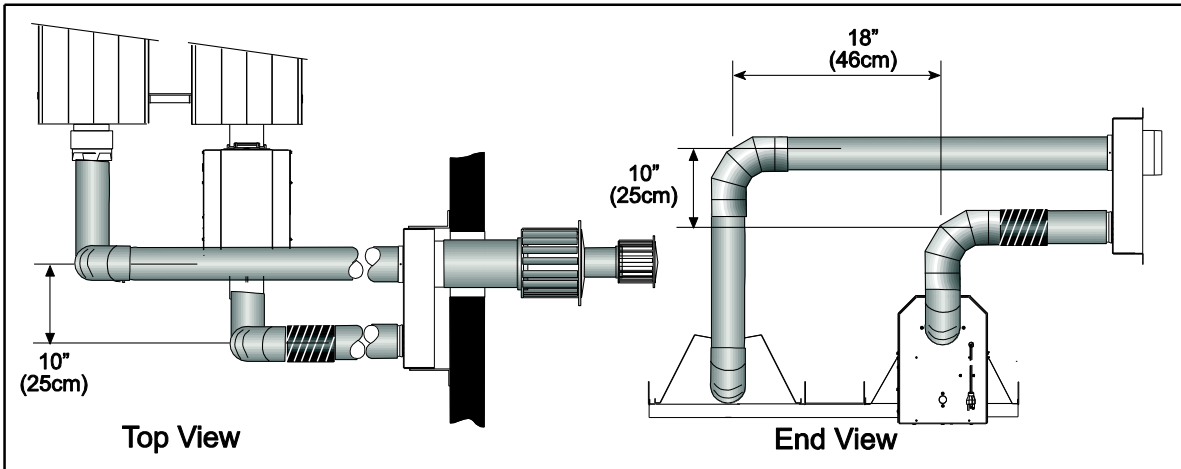


## PUSH THROUGH HEATERS

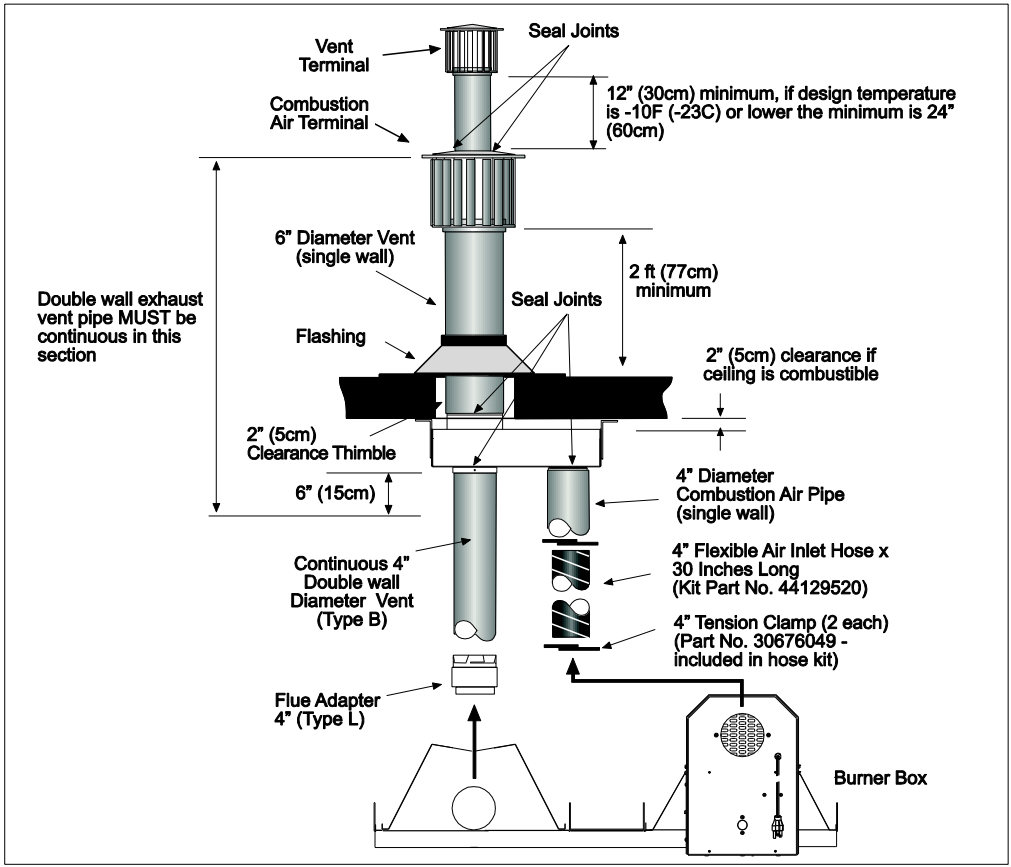
The figure below shows the connection details for horizontal concentric venting for U-TUBES.



Below are typical arrangements for routing the concentric vent to the **SIDE WALL**.



The figure below shows the connection details for vertical concentric vent through **ROOF**.



The figure below shows the connection details for vertical concentric vent through roof with **STRAIGHT TUBES**.

