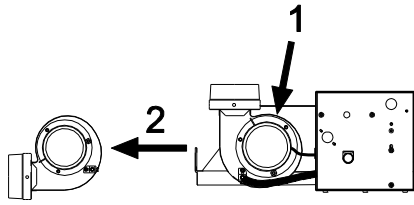
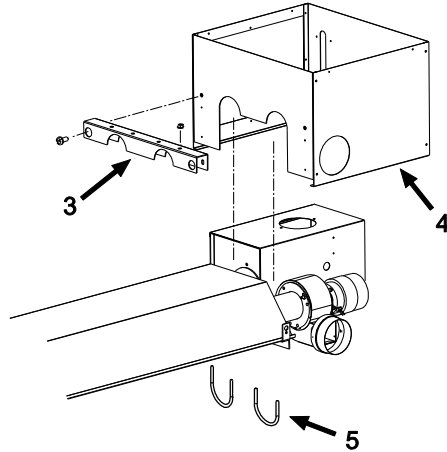


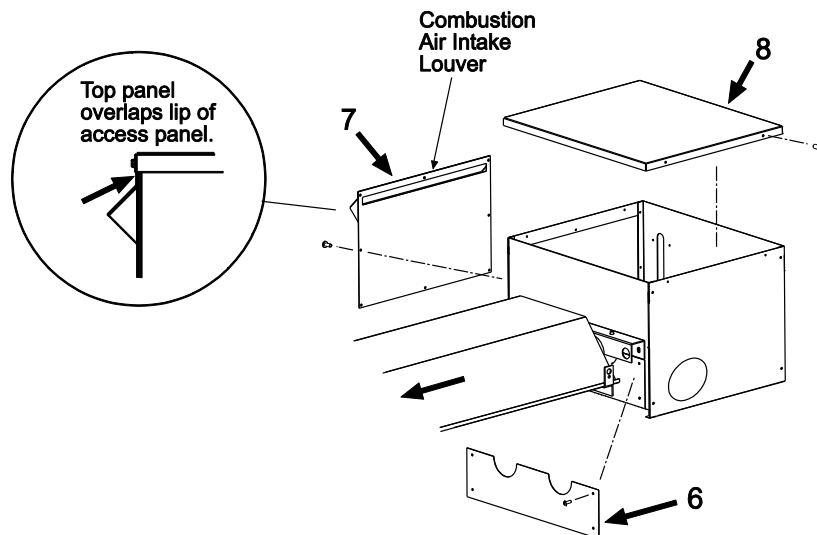
ATTACHMENT OF OUTDOOR COVER ASSEMBLY



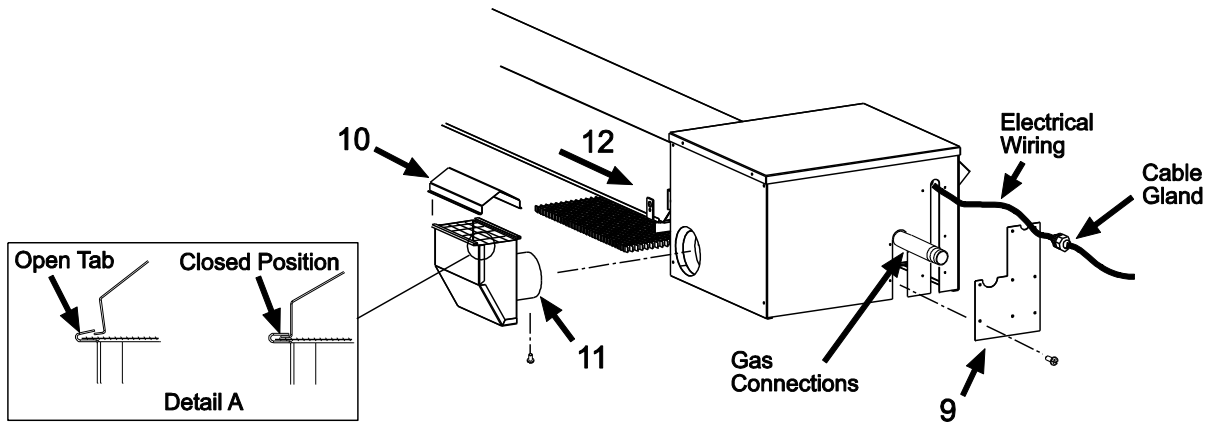
1. Remove the (3) **1/4-20 locknuts** that secure the draft inducer to the tube flange.
2. Rotate the **draft inducer** assembly to horizontal position. Re-secure with the locknuts removed above.



3. Pre-assemble the **tube yoke** to the housing assembly using (2) hex head cap screws provided in kit.
4. Slide the **welded housing assembly** over the heater control and draft inducer assemblies until the tube yoke is resting on the heater tubes.
5. Secure the **tube yoke** to the heater tubes using (2) U-bolts and hex head nuts provided in kit. Tighten these to a snug fit.



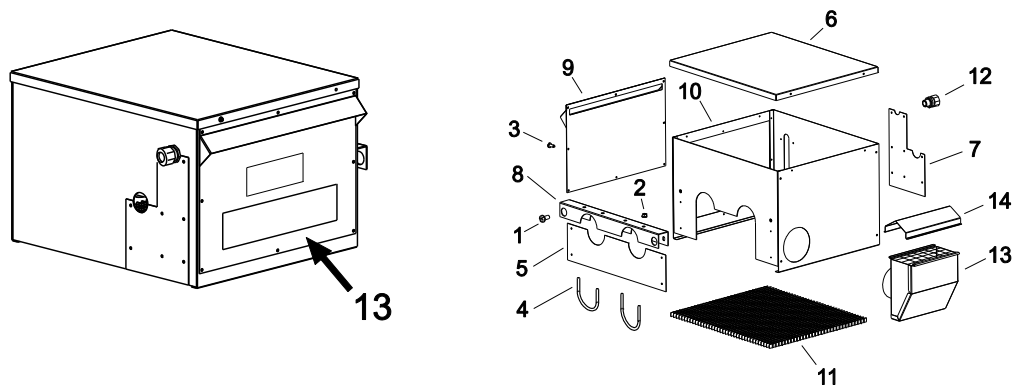
6. Place the front **hole cover plate** under the yoke and secure to housing using (4) sheet metal screws. **Note:** It may be necessary to slide the reflector back slightly in order to fasten the plate.
7. Place the **access panel assembly** over opening with the combustion air intake louver on top and secure it to the housing assembly using (8) sheet metal screws.
8. Place the **top panel** over the housing and secure using (4) sheet metal screws. **Note:** The top panel will overlap lip of access panel as shown.



9. Secure the gas/electrical **connection plate** to the housing using (8) sheet metal screws. Route the heater electrical connection wire through **cable gland**. Insert the **cable gland** into hole for electrical connections and secure with its locknut. Tighten sealing nut of **cable gland** to a snug fit.
10. Open flanges of **exhaust hood assembly** (see **Detail A**) using a screw driver, and place **outlet cover** over bird screen. Bend flanges back into closed position to secure **cover panel**.
11. Place round collar end of **exhaust hood assembly** through housing and onto vent collar of draft inducer. Make sure that exhaust hood is level and in upright position as shown. Secure with sheet metal screw.

⚠ WARNING Failure to install the exhaust hood as shown can result in poor combustion. Failure to do so may result in serious injury, property damage or illness from carbon monoxide.

12. Slide **decorative grille** into bottom of housing.
13. Place **logo label** and **clearances to combustibles label** on access panel assembly.



Kit Components

Item No.	Part No.	Description	Qty.
1	02106030	Hex Head Cap Screw 5/16-18 x 5/8"	2
2	02127110	Hex Nut 5/16-18	4
3	02212020	Hex Head Sheet Metal Screw #8 x 1/2"	26
4	42770000	U Bolt Clamp - 3"OD Tube	2
5	44442069	Cover Plate - Front Hole	1
6	44442079	Top Panel	1
7	44442089	Connection Plate	1
8	44442099	Tube Yoke	1
9	44443989	Access Panel Assembly	1
10	44443999	Welded Housing Assembly	1
11	30366070	Decorative Grille	1
12	30635030	Cable Gland	1
13	42925559	Exhaust Hood Assembly	1
14	42925539	Exhaust Outlet Cover	1
15	44445000	Form, Installation (not shown)	1
16	---	Label, Clearances (not shown)	1
17	---	Label, Logo (not shown)	1