



DRAFT INDUCER GUARD KIT
Models: CB20 through CB50

The Draft Inducer Guard Kit is required when the CB series of infrared tube heaters is installed at mounting heights between 6ft. and 8ft. above a finished floor.

INSTALLATION INSTRUCTIONS:

1. Preassemble the (2) guard panels as shown in Figure 1 using the screws provided in the kit.
2. Remove (2) of the 1/4-20 locknuts located on the Draft Inducer housing as shown in Figure 2.
3. Place the shorter of the two stand-off brackets onto the bottom housing weld stud and secure it with the 1/4-20 locknut removed in Step 2.
4. Place the other stand-off bracket onto the left housing weld stud and secure with the other 1/4-20 locknut removed in Step 2. See Figure 3.
5. Attach the preassembled panel assembly to each stand-off bracket using the sheet metal screws provided in the kit. NOTE: Two screws are required to secure the Guard Panel Assembly to each stand-off Bracket. See Figure 4.

Figure 1

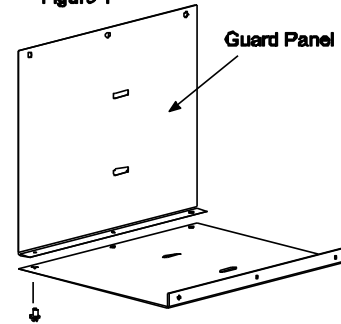


Figure 2

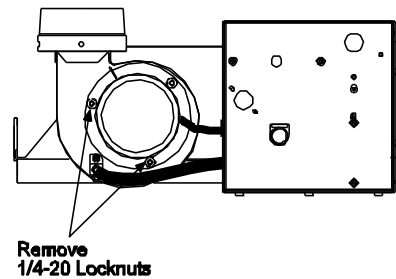


Figure 3

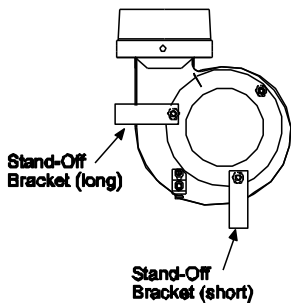
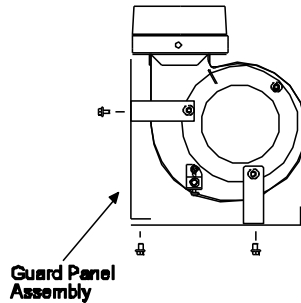


Figure 4



KIT NO. 43486000

Part No.	Description	Qty
02212020	Sheet Metal Screw #8 x 1/2	7
43516000	Guard Panel	2
43517010	Stand-off Bracket (Short)	1
43517020	Stand-off Bracket (Long)	1
43518000	Form, Draft Inducer Guard Installation	1