

OUTDOOR HOOD KIT

For Heater Model RSTP17C

Description: This kit is required when the heater is to be used **OUTDOORS**.

Instructions (Exhaust Hood Installation)

1. Remove existing clamps (3) from top of control. See fig. 1.
2. Remove access panel. See fig. 1.
3. Place **exhaust hood** directly over gasket in position shown. See fig. 2.
4. Punch holes through gasket for screws.
5. Insert #10-24 x 3/8 screws from inside of cabinet and into weld nuts of **exhaust hood**. See fig. 2.

Instructions (Inlet Air Hood Installation)

1. Remove perforated cover panel located on top of control cabinet. See fig. 1.
2. Remove solid cover panel located on left side of control cabinet and relocated to top of control cabinet where perforated cover panel was removed earlier.
3. Place **inlet air hood** directly over side opening as shown. See fig. 2.
4. Insert #10-24 x 3/8 screws from inside of cabinet and into weld nuts of **inlet air hood**. See fig. 2.
5. Re-install access panel and add weather stripping to seam as shown. See Fig. 2.

Fig. 1

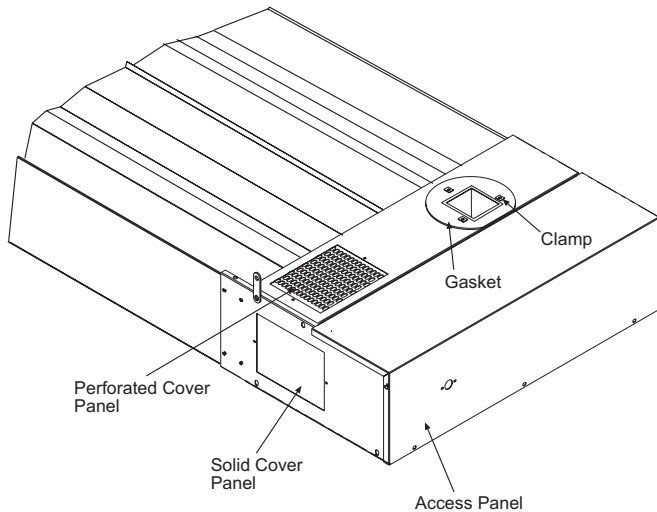
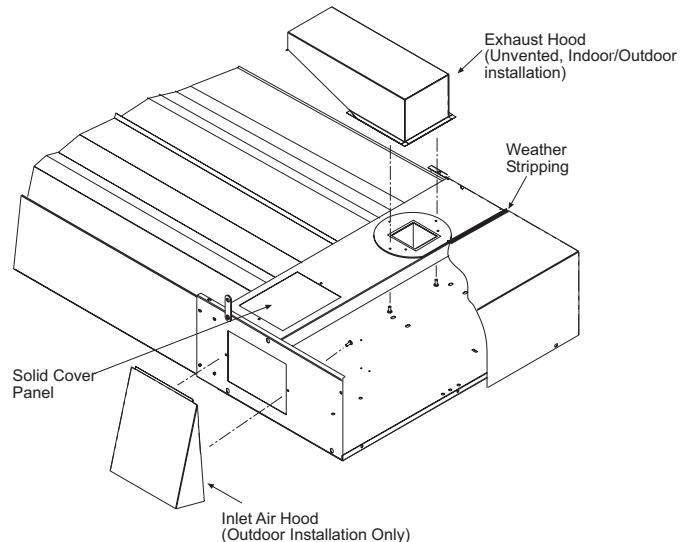


Fig. 2



Kit No. 42411000

Part No.	Description
02168010	#10-24 x 3/8 Lg. Screw (Qty 4)
42001040	Weather Stripping – 32” Lg.
42401000	Exhaust Hood Assembly
42408000	Inlet Air Hood Assembly
42412000	Form - Installation