

INDOOR UNVENTED KIT

For Heater Model RSTP17C

Description: This kit is required when the heater is to be used **INDOORS and UNVENTED.**

Instructions

1. Remove existing clamps (3) from top of control. See fig. 1.
2. Remove access panel. See fig. 1.
3. Place **exhaust hood** directly over gasket in position shown. See fig. 2.
4. Punch holes through gasket for screws.
5. Insert #10-24 x 3/8 screws from inside of cabinet and into weld nuts of **exhaust hood**. See fig. 2.
6. Re-install access panel.

Fig. 1

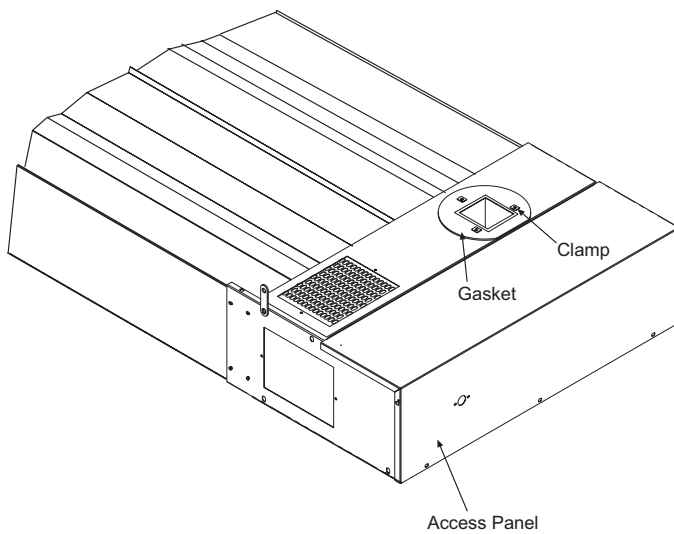
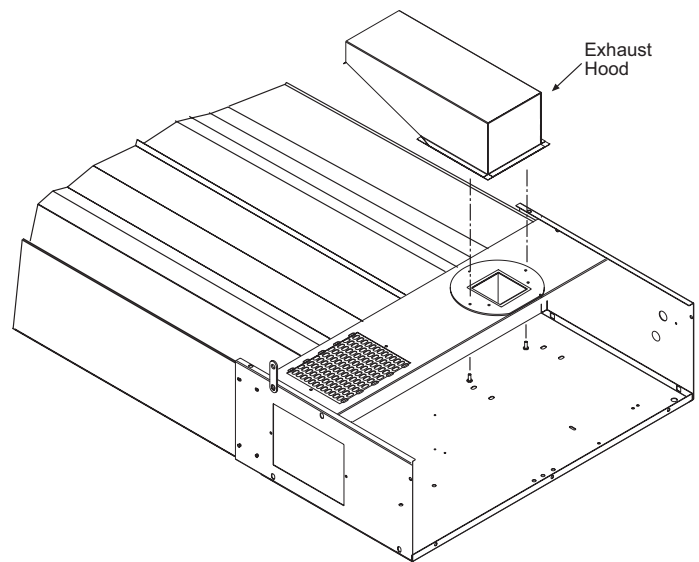


Fig. 2



Kit No. 42406000

Part No.	Description
02168010	#10-24 x 3/8 Lg. Screw (Qty 2)
42401000	Exhaust Hood Assembly
42407000	Form - Installation